

# LK-THC Twin Heavy Chain Actuator



## Feature

- Working on 24VDC
- Push/Pull Force 1400N
- Built-in Hall sensor and real-time synchronization module
- Electronic soft-start, soft-close and soft-stop at end of stroke control
- Sandblasted oxidative surface treatment
- Simple but delicacy design, low noise operation
- Life span 10,000 opening and closing movements
- Working temperature -20~+65 °C

## Description of product code

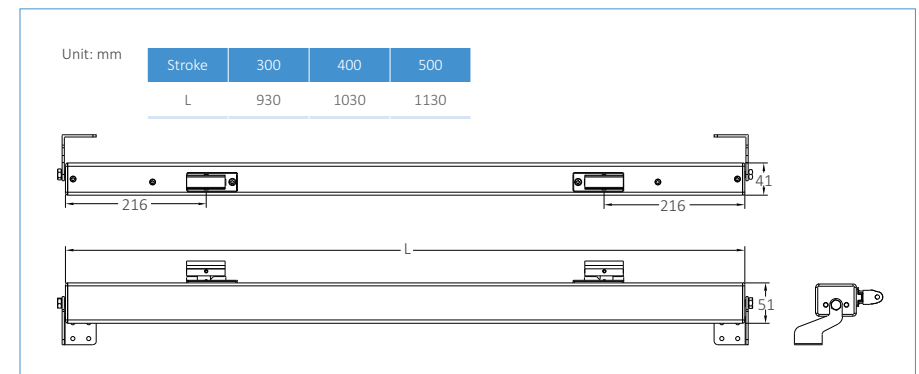
LK - THC 300 - S - S  
 ① ② ③ ④ ⑤

1	2	3	4	5
Brand	Category	Stroke	Color	Chain material
LinkAYL	Twin Heavy Chain	300mm	S=Silver	S=Stainless steel
		400mm	B=Black	

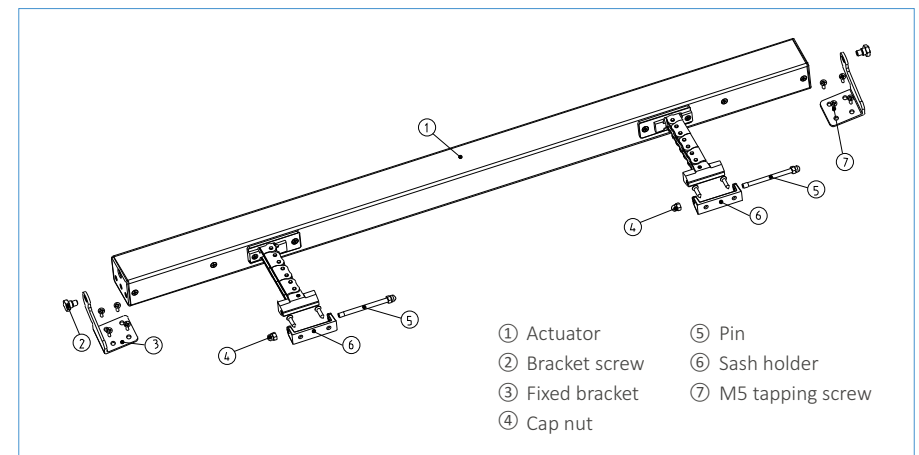
## Ordering code

Model	Vin	I <sub>max</sub>	Stroke	Force	Speed	IP class	Dimension
LK-THC300-S-S	24VDC	4.0A	300mm	1400N	8mm/s	Ip32	51*41*930mm
LK-THC400-S-S	24VDC	4.0A	400mm	1400N	8mm/s	Ip32	51*41*1030mm
LK-THC500-S-S	24VDC	4.0A	500mm	1400N	8mm/s	Ip32	51*41*1130mm

## Dimension

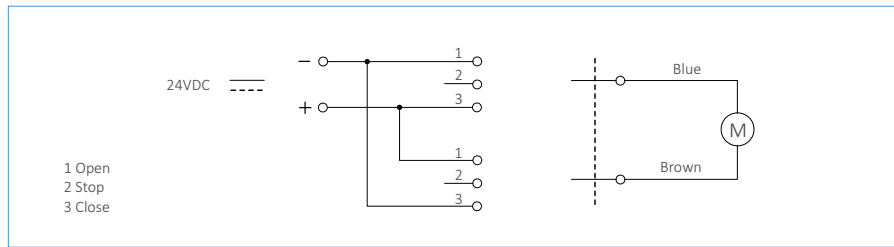


## Accessory description

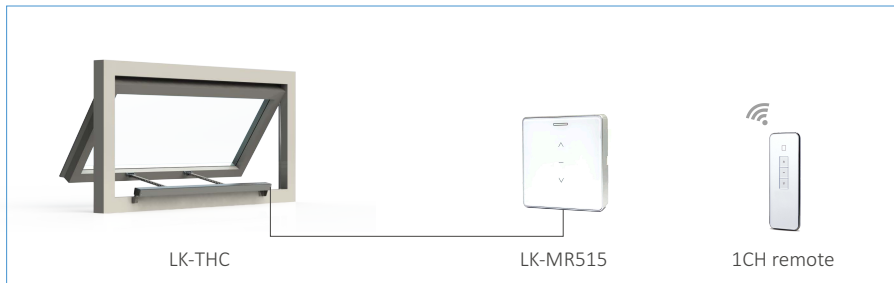


# LK-THC Twin Heavy Chain Actuator

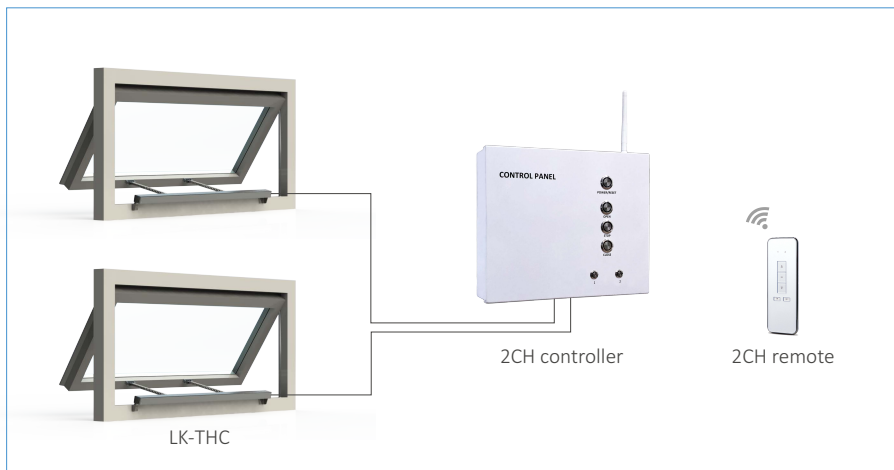
## Electric wiring



## Single actuator control



## Double actuators control



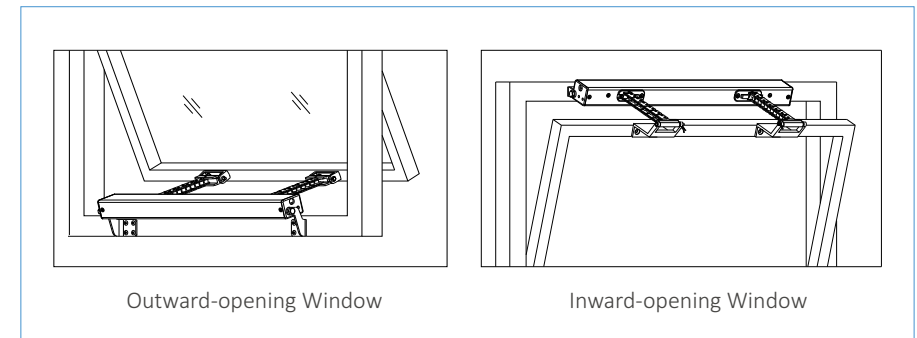
## Application

LK-THC actuators can be used in fire smoke removal, smart home, outdoor shaded, sun room, applied to awning window, sliding sash and casement window.



## Installation

Installation of LK-THC is flexible. It can be installed on inward-opening window or outward-opening window by suitable brackets.



## Installation notice

- The actuator must be installed by professional technician
- When installing, make sure the actuator is matching with the window
- Actuator cannot be installed outside directly
- Actuator don't have anti-pinch function, be careful when installing or using
- The power supply of LK-THC must comply with the power of 24VDC/6A
- Between actuator and main power supply must be a switch to cut power off
- Make sure that power is off before power actuator on
- Be careful when installing, avoid the window closed accidentally causing injuries
- Do not disassemble the actuator, if unusual please contact supplier