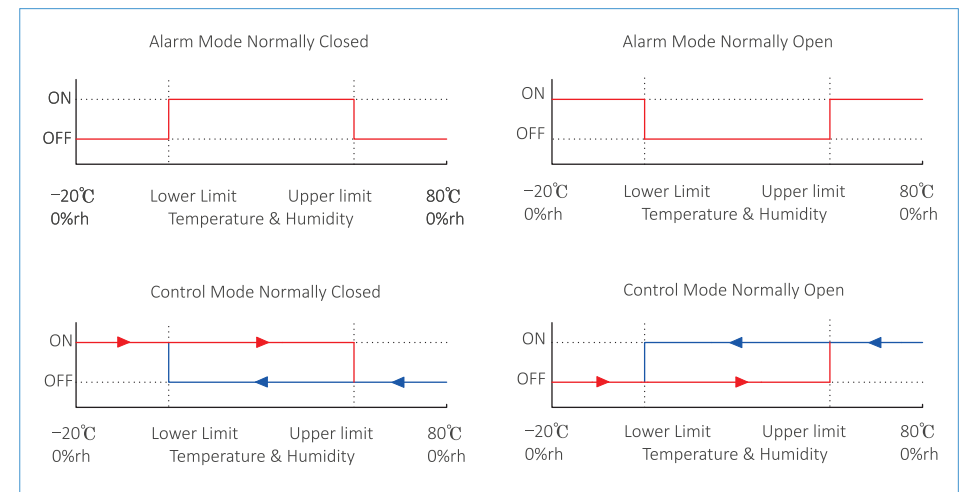


LK-TH001 Temperature Humidity Sensor



Output logic diagram



Feature

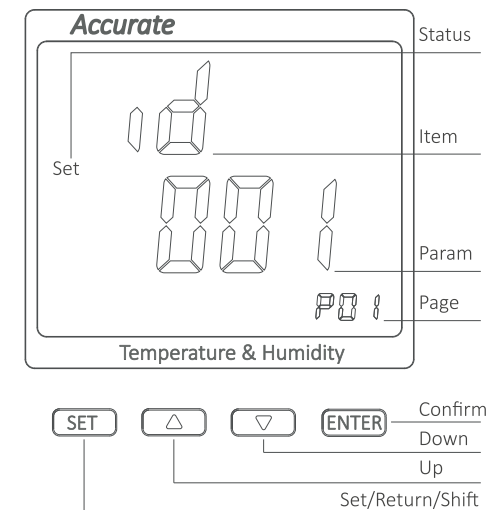
- Built-in temperature and humidity sensors
- High accuracy, temperature $\pm 0.3^{\circ}\text{C}$ resolution 0.1°C , humidity $\pm 3\%rh$ resolution $0.1rh$
- Wide range, good consistency
- LCD large screen display design, generous appearance
- Password protection to prevent misuse
- Wall and ceiling structure design, easy to install
- Celsius temperatures to Fahrenheit switchable
- With dew point with analysis function
- Strong stability and anti-interference ability
- Strong protective performance, lightning protection

Ordering code

Model	Vin	Temp Range	Humidity Range	Output Load	Dimension
LK-TH001	9-26VDC	-20~+80°C	0~100%rh	$\leq 100\text{mA}$	90*95*29mm

Operation instruction

- On the initial page, press SET button and enter defaulted password 0000
- Press UP DOWN keys to switch TD, ID, Baud, DO1, DO2, Date and Time
- A total of 22 setting pages, press UP DOWN keys to select the item to set
- Press ENTER key to set the parameter on the page
- After the parameter adjusted, press ENTER button to save the settings
- Press the SET key to return to the initial page
- The right picture shows the buttons and settings page



LK-TH001 Temperature Humidity Sensor

Parameter setting

Page	Parameter	Description
P:01	Address	1-247
P:02	Baud Rate	1200-19200
P:03	Check Mode	n81/o81/e81
P:04	Temp Units	C: Celsius, F: Fahrenheit
P:05	DO1 Usage	Ctrl: Control mode Alarm: Alarm mode
P:06	DO Usage	
P:07	DO1 Enable	
P:08	DO2 Enable	
P:09	DO1 Normal State	OFF means normal open, ON means normal close
P:10	DO2 Normal State	OFF means normal open, ON means normal close
P:11	High Temp	High temp or temp alarm limit
P:12	Low Temp	Low temp or temp alarm limit
P:13	High Humidity	High humidity or humidity alarm limit
P:14	Low Humidity	Low humidity or humidity alarm limit
P:15	Temp Buffer Value	Default value 0.1°C
P:16	Humidity Buffer Value	Default value 1rh%
P:17	Date Setting	Year-Month-Day
P:18	Time Setting	Hour-Minute-Second
P:19	Password	0000-9999

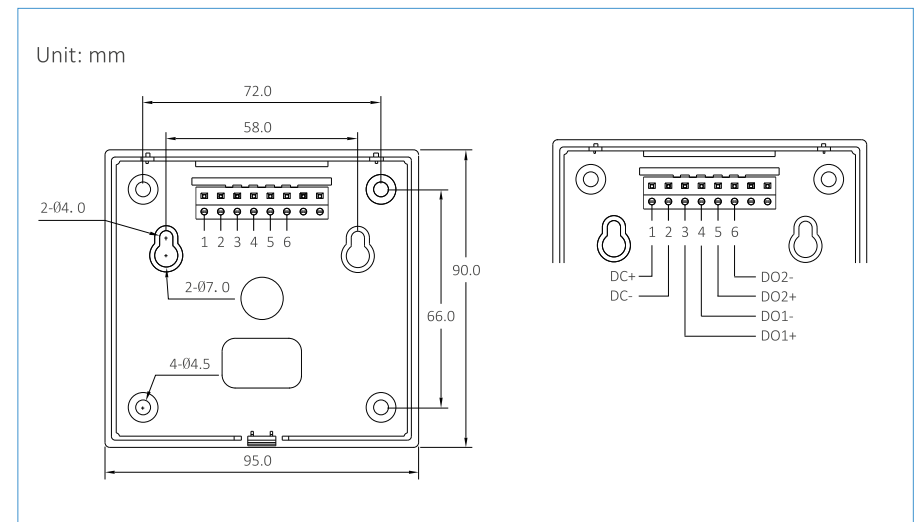
Application

Widely used in communication room, intelligent building, workshop, warehouse, pharmacy store, library, museum, laboratory, office, ventilation duct, greenhouse and other places.

Solution



Installation instruction



Caution

- Do not install directly in the heat source, cold source or in the sun
- Prohibit being in the steam, water curtain or condensing environment for a long time
- The product must be cleaned regularly if working in dust or other unclean environment