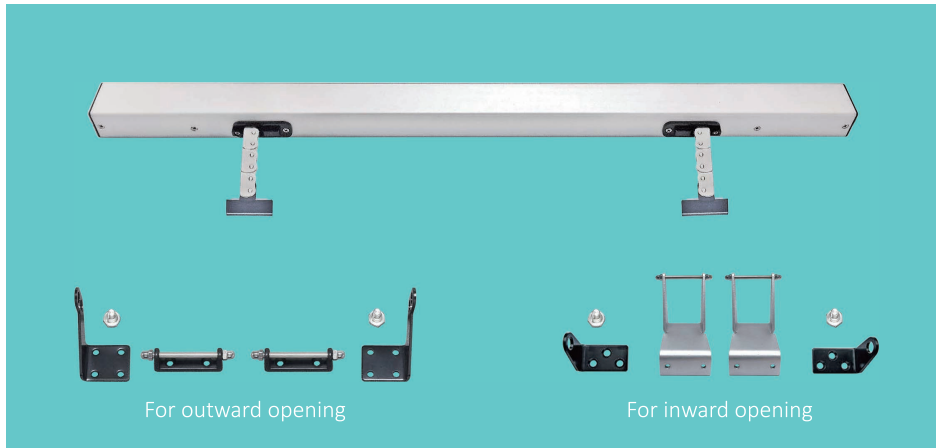


# LK-TC Twin Chain Actuator



## Feature

- Push/Pull Force 800N
- Sandblasted oxidative surface treatment
- Simple but delicacy design, low noise operation
- Double link chain working more stably and smoothly
- Built-in over current protection
- Life span 10,000 opening and closing movements
- Working temperature -20~+65 °C

## Description of product code

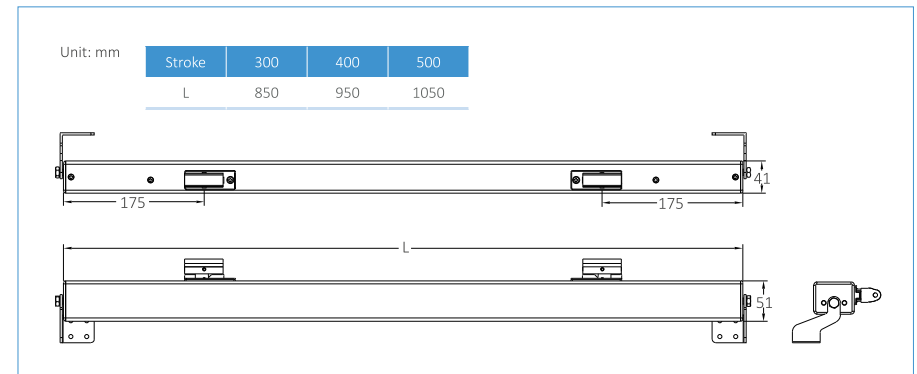
LK - TC 300 - S - C  
 ① ② ③ ④ ⑤

1	2	4	5	6
Brand	Category	Stroke	Color	Chain material
LinkAYL	Twin chain	300mm	S=Silver B=Black	C=Carbon steel S=Stainless steel

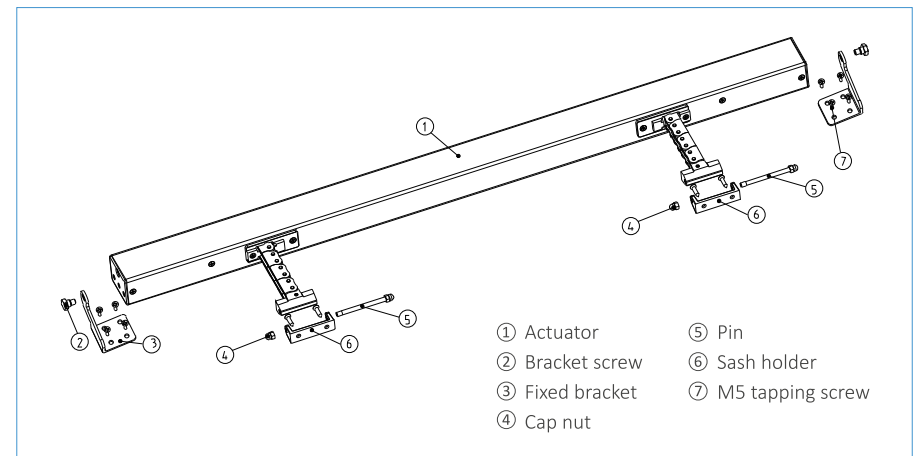
## Ordering code

Model	Vin	I <sub>max</sub>	Stroke	Force	Speed	IP class	Dimension
LK-TC300-S-C	24VDC	3A	300mm	800N	8mm/s	Ip32	51*41*850mm
LK-TC400-S-C	24VDC	3A	400mm	800N	8mm/s	Ip32	51*41*950mm
LK-TC500-S-C	24VDC	3A	500mm	800N	8mm/s	Ip32	51*41*1050mm

## Dimension

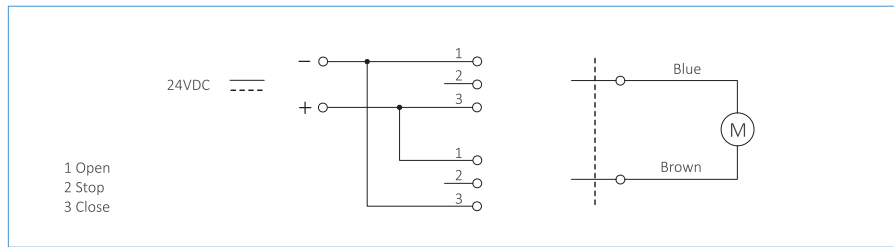


## Accessory description



# LK-TC Twin Chain Actuator

## Electric wiring



## Single actuator control



## Double actuators control



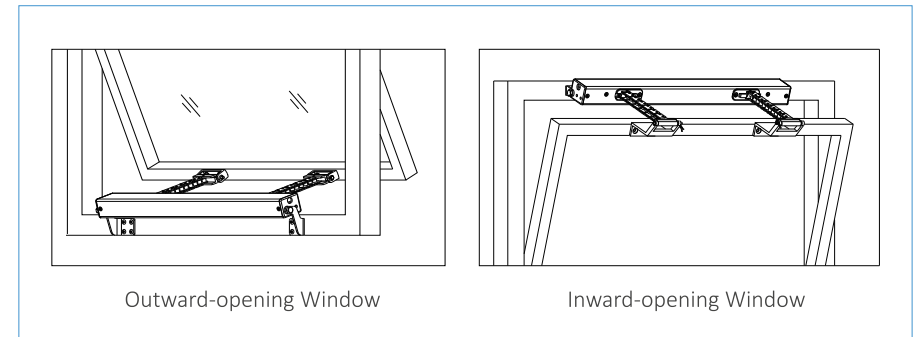
## Application

LK-TC actuators can be used in fire smoke removal, smart home, outdoor shaded, sun room, applied to awning window, sliding sash and casement window.



## Installation

Installation of LK-TC is flexible. It can be installed on inward-opening window or outward-opening window by suitable brackets.



## Installation notice

- The actuator must be installed by professional technician
- When installing, make sure the actuator is matching with the window
- Actuator cannot be installed outside directly
- Actuator don't have anti-pinch function, be careful when installing or using
- The power supply of LK-TC must comply with the power of 24VDC/4A
- Between actuator and main power supply must be a switch to cut power off
- Make sure that power is off before power actuator on
- Be careful when installing, avoid the window closed accidentally causing injuries
- Please use synchronizer when controlling one window using two actuators
- Do not disassemble the actuator, if unusual please contact supplier