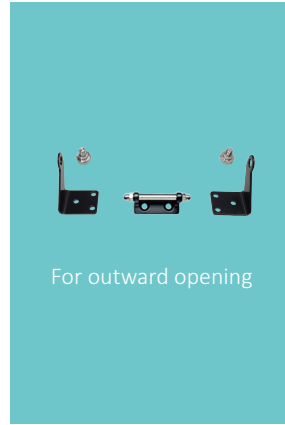
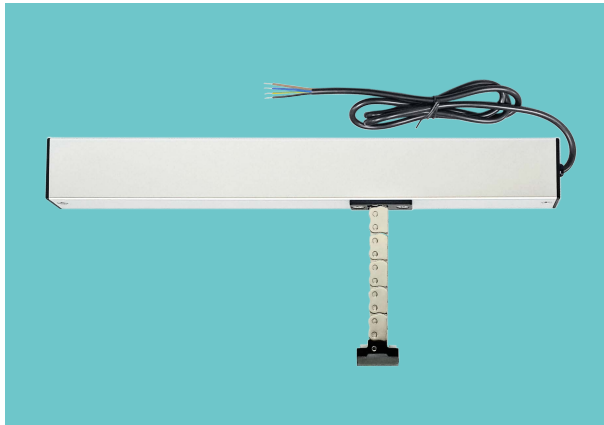


LK-SSS Single Small Synchronous Chain Actuator



Feature

- Working on 24VDC
- Push/Pull Force 250N
- Built-in Hall sensor
- Electronic soft-start, soft-close and soft-stop at end of stroke control
- Synchronize 2/3/4 actuators in real time without external synchronizer
- Simple but delicacy design, low noise operation
- Life span 10,000 opening and closing movements
- Working temperature -20~+65 °C

Description of product code

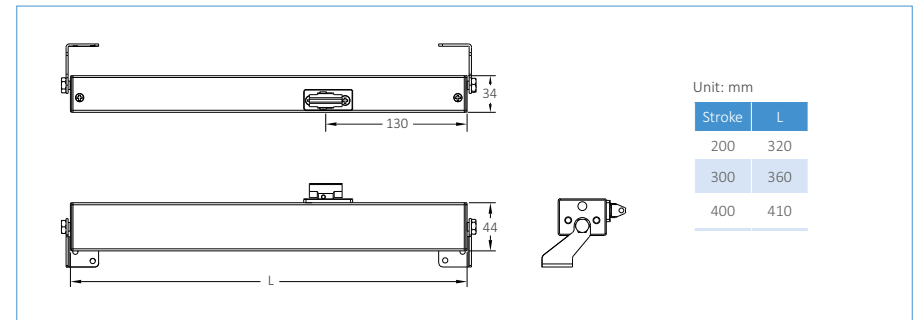
LK - SSS 300 - S - C
 ① ② ③ ④ ⑤

1	2	3	4	5
Brand	Category	Stroke	Color	Chain material
LinkAYL	Single Small Synch	200mm	S=Silver	C=Carbon steel
		300mm	B=Black	S=Stainless steel

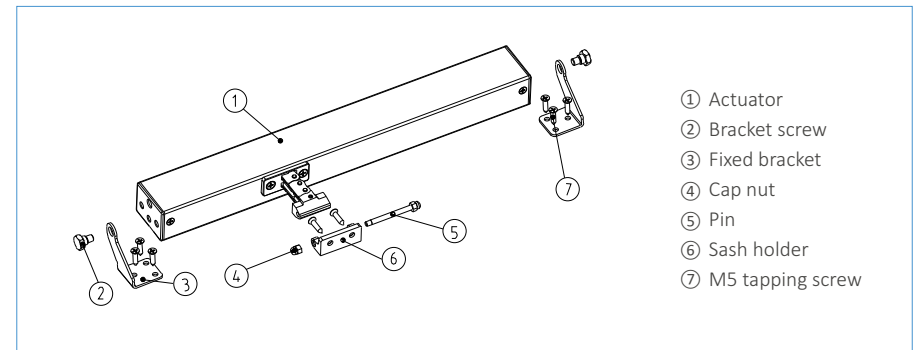
Ordering code

Model	Vin	Imax	Stroke	Force	Speed	IP class	Dimension
LK-SSS200-S-C	24VDC	1.0A	200mm	250N	8mm/s	Ip32	44*34*320mm
LK-SSS300-S-C	24VDC	1.0A	300mm	250N	8mm/s	Ip32	44*34*360mm
LK-SSS400-S-C	24VDC	1.0A	400mm	250N	8mm/s	Ip32	44*34*410mm

Dimension

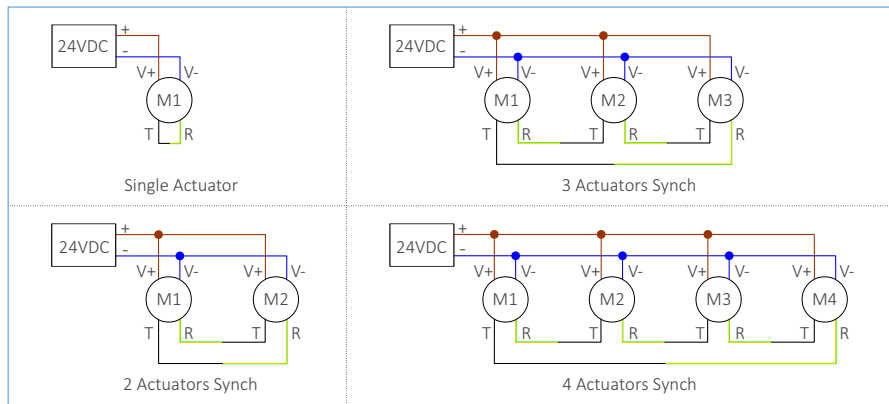


Accessory description

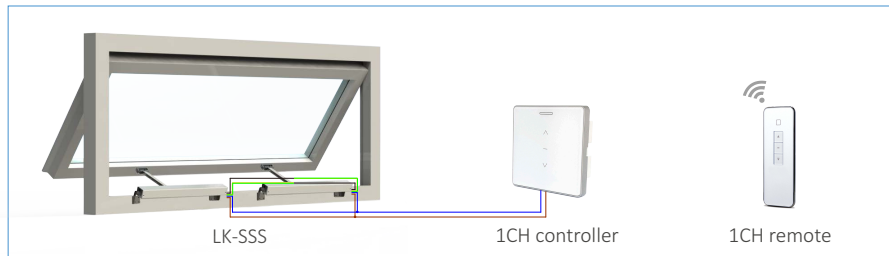


LK-SSS Single Small Synchronous Chain Actuator

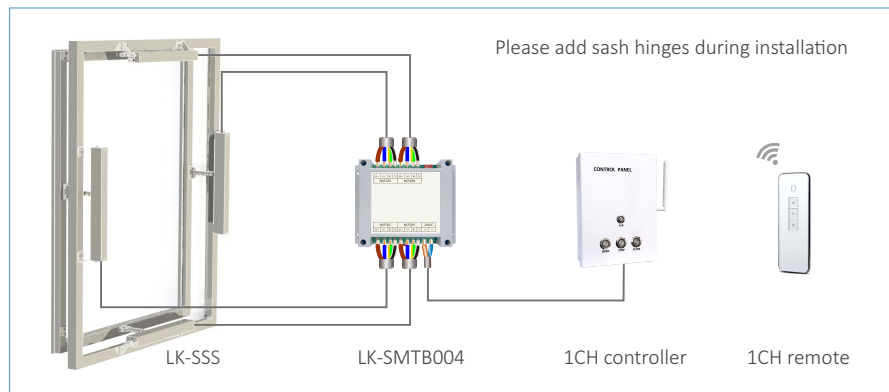
Electric wiring



Sych 2 actuators wired directly



Sych 4 actuators with junction box



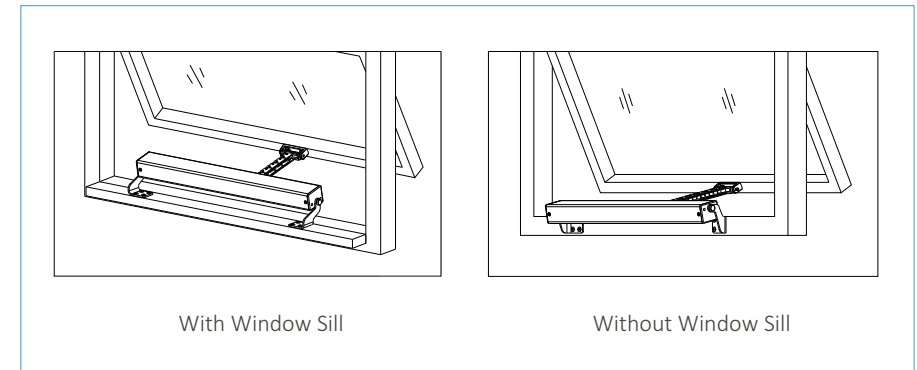
Application

LK-SSS actuators can be used in fire smoke removal, smart home, sun room, applied to awning window, skylight and casement window.



Installation

Installation of LK-SSS is flexible, can be installed with or without window sill.



Installation notice

- The actuator must be installed by professional technician
- When installing, make sure the actuator is matching with the window
- Actuator cannot be installed outside directly
- Actuator don't have anti-pinch function, be careful when installing or using
- The power supply of LK-SSS must comply with the power of 24VDC/1.5A
- Between actuator and main power supply must be a switch to cut power off
- Make sure that power is off before power actuator on
- Be careful when installing, avoid the window closed accidentally causing injuries
- Do not disassemble the actuator, if unusual please contact supplier