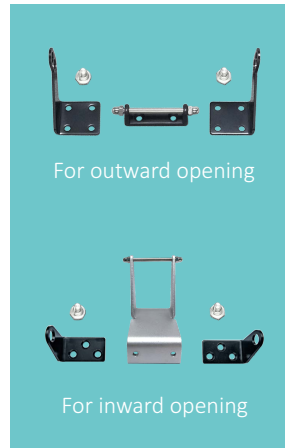


# LK-SLS Single Large Synchronous Chain Actuator



## Feature

- Working on 24VDC
- Push/Pull Force 400N
- Built-in Hall sensor
- Electronic soft-start, soft-close and soft-stop at end of stroke control
- Synchronize 2/3/4 actuators in real time without external synchronizer
- Simple but delicacy design, low noise operation
- Life span 10,000 opening and closing movements
- Working temperature -20~+65 °C

## Description of product code

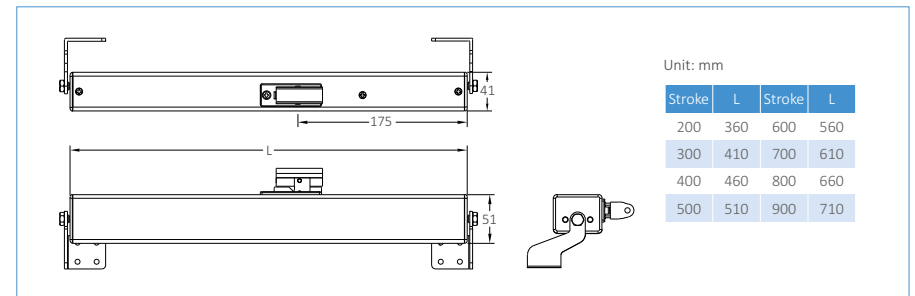
LK - SLS 300 - S - C  
 ① ② ③ ④ ⑤

1	2	3	4	5
Brand	Category	Stroke	Color	Chain material
LinkAYL	Single Large Synch	300mm	S=Silver	C=Carbon steel
		400mm	B=Black	S=Stainless steel

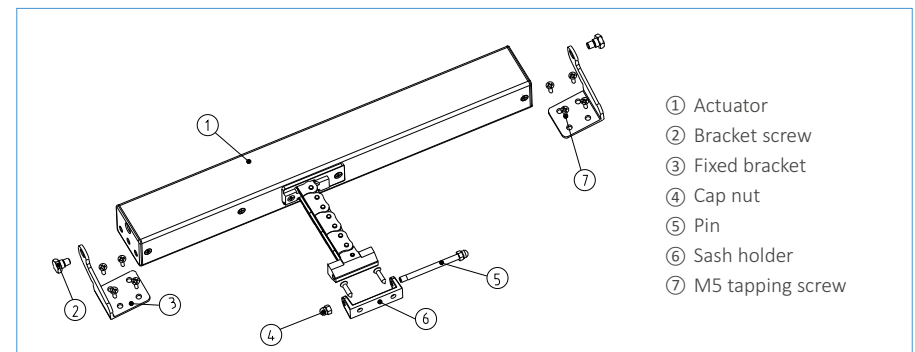
## Ordering code

Model	Vin	I <sub>max</sub>	Stroke	Force	Speed	IP class	Dimension
LK-SLS200-S-C	24VDC	1.5A	200mm	400N	8mm/s	Ip32	51*41*360mm
LK-SLS300-S-C	24VDC	1.5A	300mm	400N	8mm/s	Ip32	51*41*410mm
LK-SLS400-S-C	24VDC	1.5A	400mm	400N	8mm/s	Ip32	51*41*460mm
LK-SLS500-S-C	24VDC	1.5A	500mm	400N	8mm/s	Ip32	51*41*510mm
LK-SLS600-S-C	24VDC	1.5A	600mm	400N	8mm/s	Ip32	51*41*560mm
LK-SLS700-S-C	24VDC	1.5A	700mm	400N	8mm/s	Ip32	51*41*610mm
LK-SLS800-S-C	24VDC	1.5A	800mm	400N	8mm/s	Ip32	51*41*660mm

## Dimension

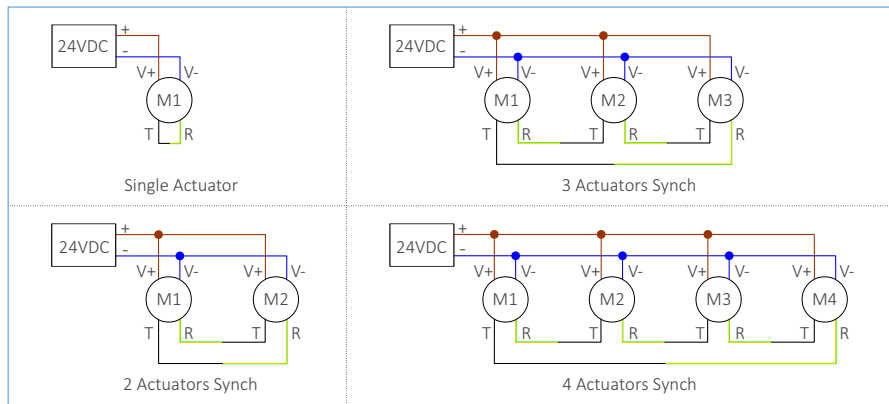


## Accessory description

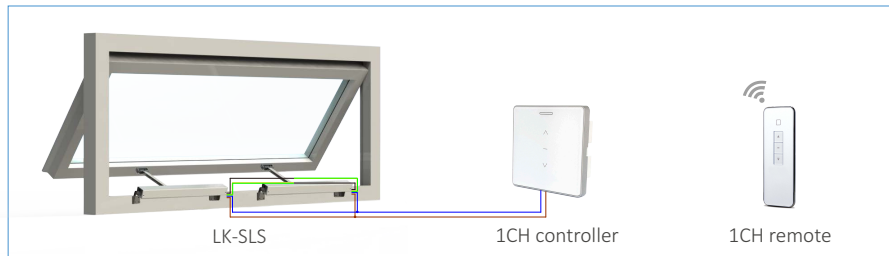


# LK-SLS Single Large Synchronous Chain Actuator

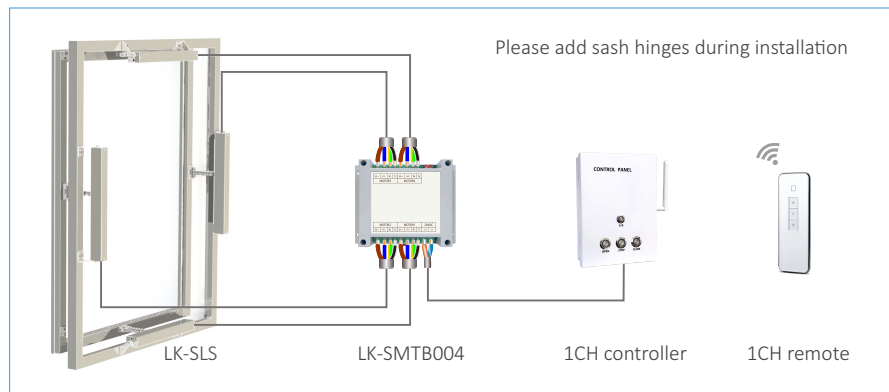
## Electric wiring



## Sych 2 actuators wired directly



## Sych 4 actuators with junction box



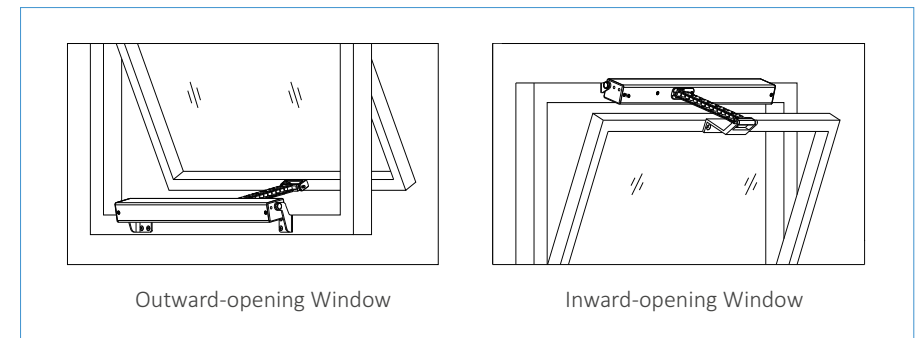
## Application

LK-SLS actuators can be used in fire smoke removal, smart home, sun room, applied to awning window, skylight and casement window.



## Installation

Installation of LK-SLS is flexible. It can be installed on inward-opening window or outward-opening window by suitable brackets.



## Installation notice

- The actuator must be installed by professional technician
- When installing, make sure the actuator is matching with the window
- Actuator cannot be installed outside directly
- Actuator don't have anti-pinch function, be careful when installing or using
- The power supply of LK-SLS must comply with the power of 24VDC/2A
- Between actuator and main power supply must be a switch to cut power off
- Make sure that power is off before power actuator on
- Be careful when installing, avoid the window closed accidentally causing injuries
- Do not disassemble the actuator, if unusual please contact supplier