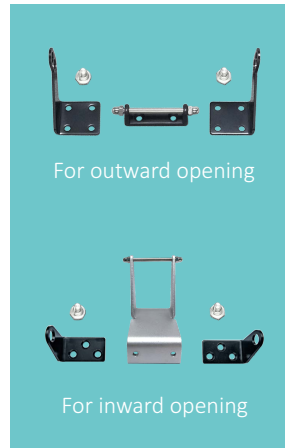


LK-SLC Single Large Chain Actuator



Feature

- Working on 24VDC
- Push/Pull Force 400N
- Built-in Hall sensor
- Electronic soft-start, soft-close and soft-stop at end of stroke control
- Sandblasted oxidative surface treatment
- Simple but delicacy design, low noise operation
- Life span 10,000 opening and closing movements
- Working temperature -20~+65 °C

Description of product code

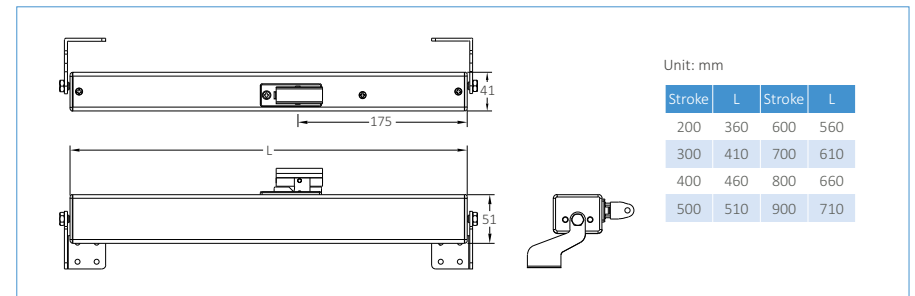
LK - SLC 300 - S - C
 ① ② ③ ④ ⑤

1	2	3	4	5
Brand	Category	Stroke	Color	Chain material
LinkAYL	Single Large Chain	300mm	S=Silver	C=Carbon steel
		400mm	B=Black	S=Stainless steel

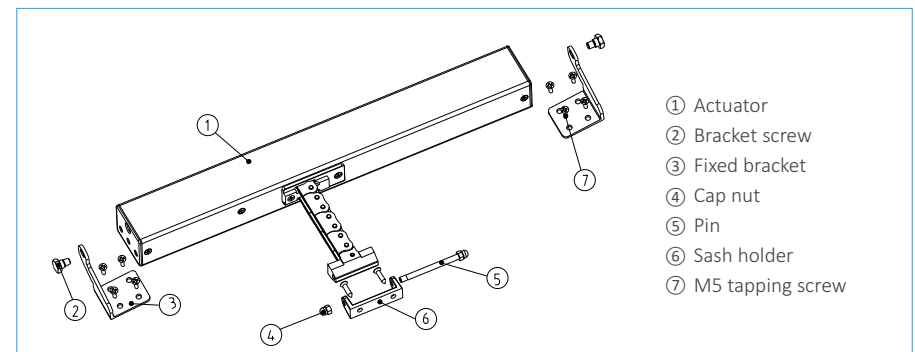
Ordering code

Model	Vin	I _{max}	Stroke	Force	Speed	IP class	Dimension
LK-SLC200-S-C	24VDC	1.5A	200mm	400N	8mm/s	Ip32	51*41*360mm
LK-SLC300-S-C	24VDC	1.5A	300mm	400N	8mm/s	Ip32	51*41*410mm
LK-SLC400-S-C	24VDC	1.5A	400mm	400N	8mm/s	Ip32	51*41*460mm
LK-SLC500-S-C	24VDC	1.5A	500mm	400N	8mm/s	Ip32	51*41*510mm
LK-SLC600-S-C	24VDC	1.5A	600mm	400N	8mm/s	Ip32	51*41*560mm
LK-SLC700-S-C	24VDC	1.5A	700mm	400N	8mm/s	Ip32	51*41*610mm
LK-SLC800-S-C	24VDC	1.5A	800mm	400N	8mm/s	Ip32	51*41*660mm

Dimension

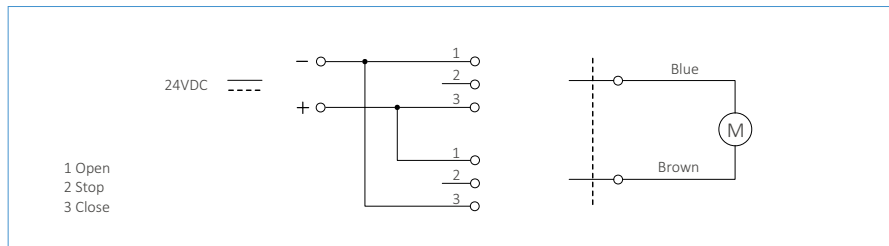


Accessory description

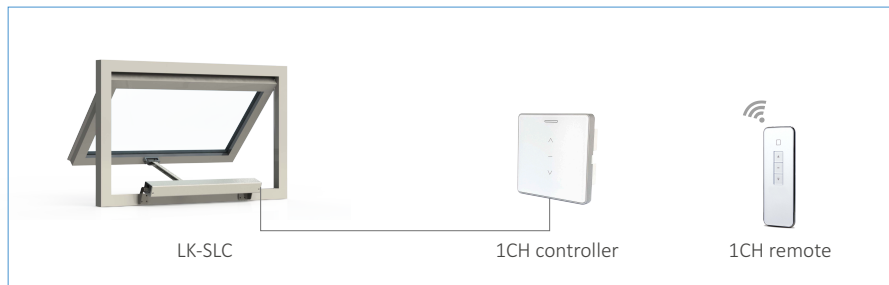


LK-SLC Single Large Chain Actuator

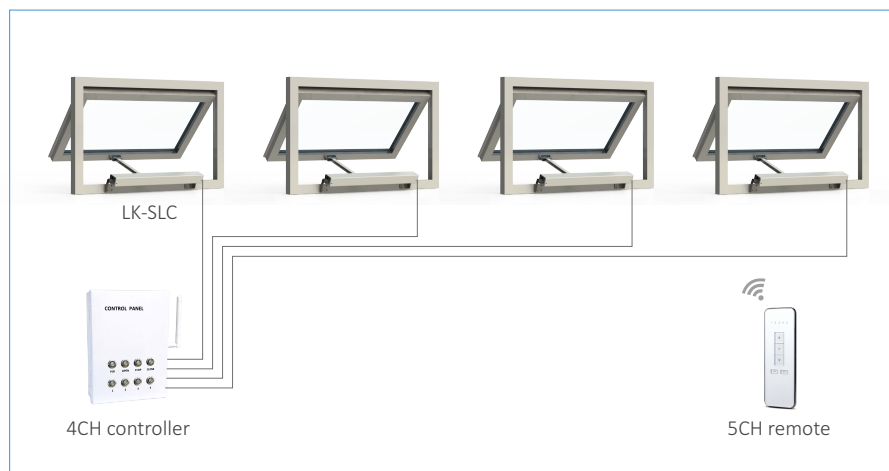
Electric wiring



Single actuator control



Four actuators control



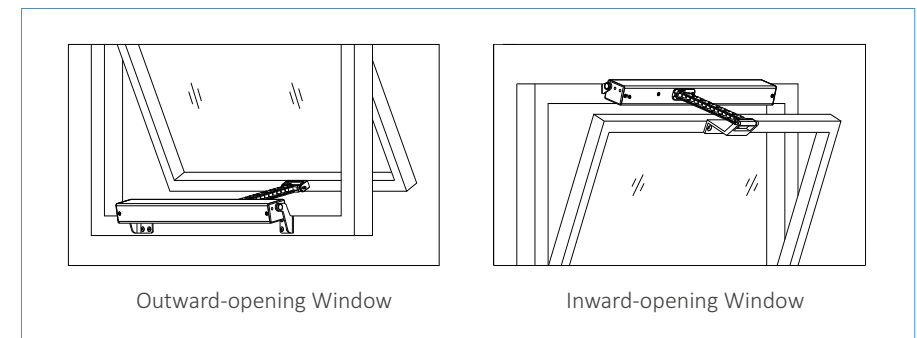
Application

LK-SLC actuators can be used in fire smoke removal, smart home, sun room, applied to awning window, skylight and casement window.



Installation

Installation of LK-SLC is flexible. It can be installed on inward-opening window or outward-opening window by suitable brackets.



Installation notice

- The actuator must be installed by professional technician
- When installing, make sure the actuator is matching with the window
- Actuator cannot be installed outside directly
- Actuator don't have anti-pinch function, be careful when installing or using
- The power supply of LK-SLC must comply with the power of 24VDC/2A
- Between actuator and main power supply must be a switch to cut power off
- Make sure that power is off before power actuator on
- Be careful when installing, avoid the window closed accidentally causing injuries
- Do not disassemble the actuator, if unusual please contact supplier