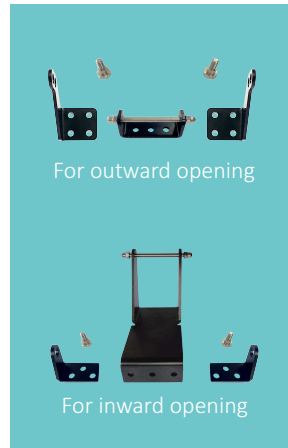


LK-SHS Single Heavy Synchronous Chain Actuator



Feature

- Working on 24VDC
- Push/Pull Force 700N
- Built-in Hall sensor
- Electronic soft-start, soft-close and soft-stop at end of stroke control
- Synchronize 2/3/4 actuators in real time without external synchronizer
- Simple but delicacy design, low noise operation
- Life span 10,000 opening and closing movements
- Working temperature -20~+65 °C

Description of product code

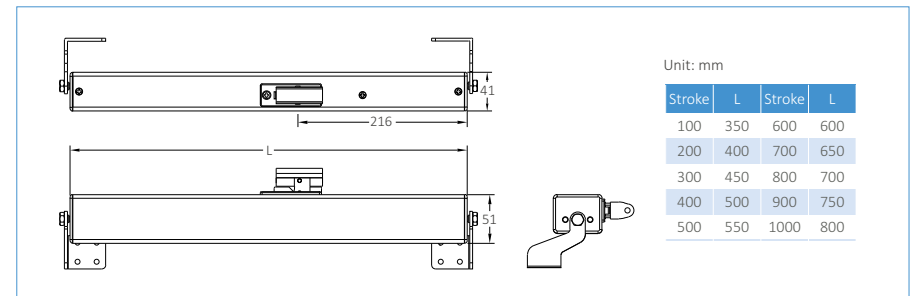
LK - SHS 300 - S - S
 ① ② ③ ④ ⑤

1	2	3	4	5
Brand	Category	Stroke	Color	Chain material
LinkAYL	Single Heavy Synch	300mm	S=Silver	S=Stainless steel
		400mm	B=Black	

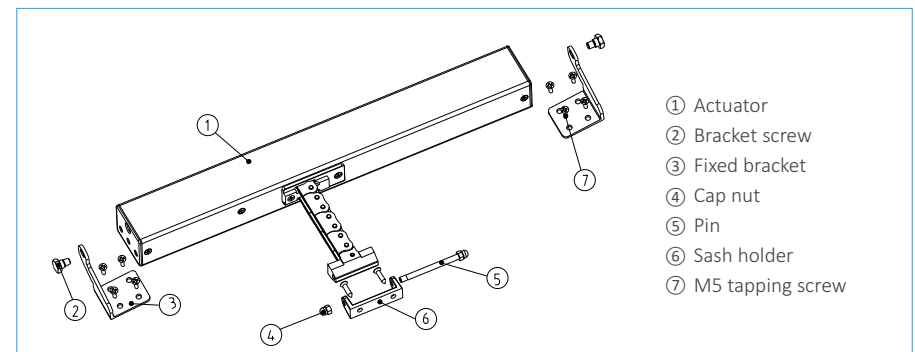
Ordering code

Model	Vin	I _{max}	Stroke	Force	Speed	IP class	Dimension
LK-SHS100-S-S	24VDC	2.0A	100mm	700N	8mm/s	IP32	51*41*350mm
LK-SHS200-S-S	24VDC	2.0A	200mm	700N	8mm/s	IP32	51*41*400mm
LK-SHS300-S-S	24VDC	2.0A	300mm	700N	8mm/s	IP32	51*41*450mm
LK-SHS400-S-S	24VDC	2.0A	400mm	700N	8mm/s	IP32	51*41*500mm
LK-SHS500-S-S	24VDC	2.0A	500mm	700N	8mm/s	IP32	51*41*550mm
LK-SHS600-S-S	24VDC	2.0A	600mm	700N	8mm/s	IP32	51*41*600mm
LK-SHS700-S-S	24VDC	2.0A	700mm	700N	8mm/s	IP32	51*41*650mm
LK-SHS800-S-S	24VDC	2.0A	800mm	700N	8mm/s	IP32	51*41*700mm
LK-SHS900-S-S	24VDC	2.0A	900mm	700N	8mm/s	IP32	51*41*750mm
LK-SHS1000-S-S	24VDC	2.0A	1000mm	700N	8mm/s	IP32	51*41*800mm

Dimension

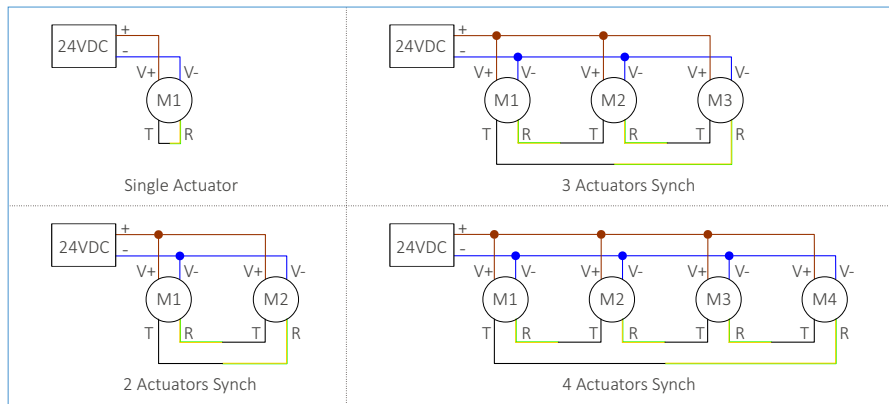


Accessory description



LK-SHS Single Heavy Synchronous Chain Actuator

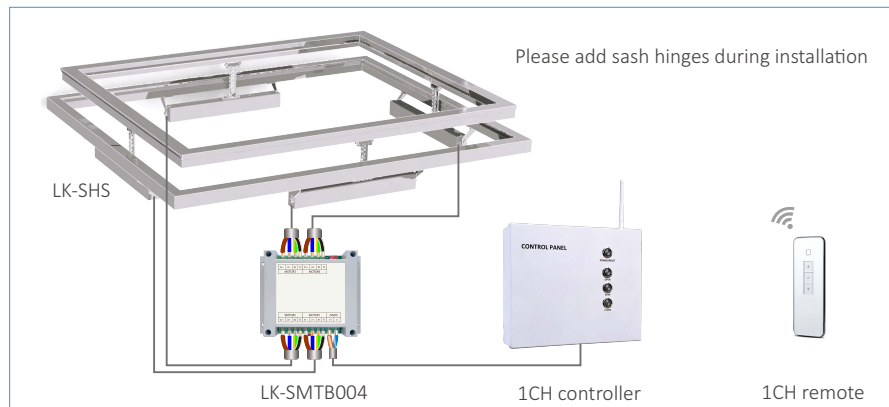
Electric wiring



Sych 2 actuators wired directly



Sych 4 actuators with junction box



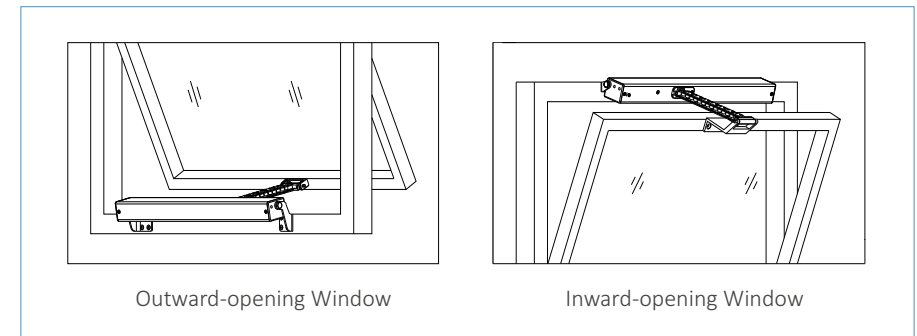
Application

LK-SHS actuators can be used in fire smoke removal, smart home, sun room, applied to awning window, skylight and casement window.



Installation

Installation of LK-SHS is flexible. It can be installed on inward-opening window or outward-opening window by suitable brackets.



Installation notice

- The actuator must be installed by professional technician
- When installing, make sure the actuator is matching with the window
- Actuator cannot be installed outside directly
- Actuator don't have anti-pinch function, be careful when installing or using
- The power supply of LK-SHS must comply with the power of 24VDC/3A
- Between actuator and main power supply must be a switch to cut power off
- Make sure that power is off before power actuator on
- Be careful when installing, avoid the window closed accidentally causing injuries
- Do not disassemble the actuator, if unusual please contact supplier