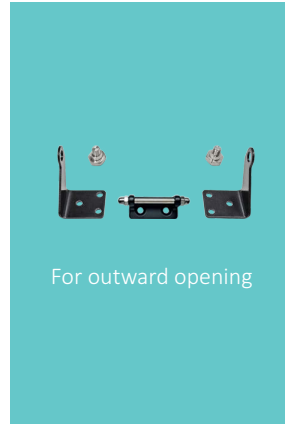


LK-SCE Small Single Chain Actuator



Feature

- 24VDC or 230VAC optional
- Push/Pull Force 250N
- Sandblasted oxidative surface treatment
- Simple but delicacy design, low noise operation
- Double link chain working more stably and smoothly
- Built-in over current protection
- Life span 10,000 opening and closing movements
- Working temperature -20~+65 °C

Description of product code

LK - SC E 300 - D S - C
 ① ② ③ ④ ⑤ ⑥ ⑦

1	2	3	4	5	6	7
Brand	Category	Ver.	Stroke	Voltage	Color	Chain material
LinkAYL	Small chain	E	200mm	D=24VDC	S=Silver	C=Carbon steel
			300mm	A=230VAC	B=Black	S=Stainless steel

Ordering code

Model	Vin	I _{max}	Stroke	Force	Speed	IP class	Dimension
LK-SCE200-DS-C	24VDC	1.0A	200mm	250N	8mm/s	Ip32	44*34*320mm
LK-SCE300-DS-C	24VDC	1.0A	300mm	250N	8mm/s	Ip32	44*34*360mm
LK-SCE400-DS-C	24VDC	1.0A	400mm	250N	8mm/s	Ip32	44*34*410mm
LK-SCE200-AS-C	230VAC	0.2A	200mm	250N	8mm/s	Ip32	44*34*440mm
LK-SCE300-AS-C	230VAC	0.2A	300mm	250N	8mm/s	Ip32	44*34*480mm
LK-SCE400-AS-C	230VAC	0.2A	400mm	250N	8mm/s	Ip32	44*34*530mm

Dimension

Unit: mm

Stroke	L(DC)	L(AC)
200	320	440
300	360	480
400	410	530

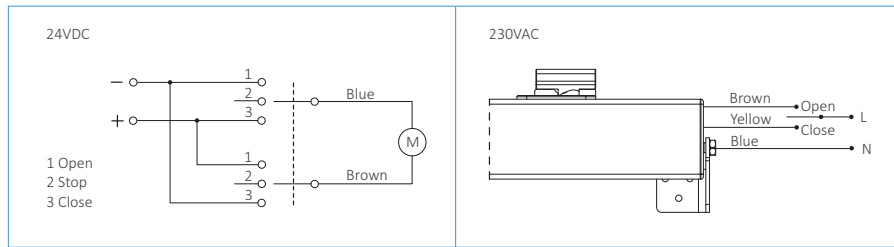
* DC=24V AC=230V

Accessory description

- ① Actuator
- ② Bracket screw
- ③ Fixed bracket
- ④ Cap nut
- ⑤ Pin
- ⑥ Sash holder
- ⑦ M5 tapping screw

LK-SCE Small Single Chain Actuator

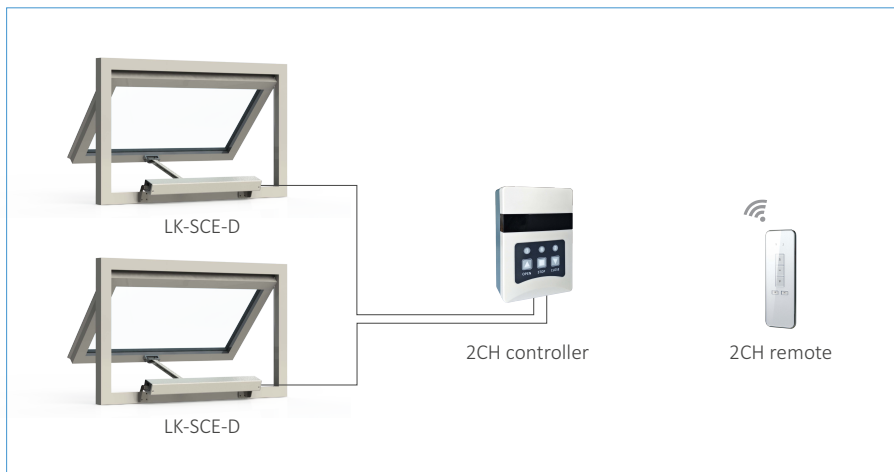
Electric wiring



Single actuator control



Double actuators control



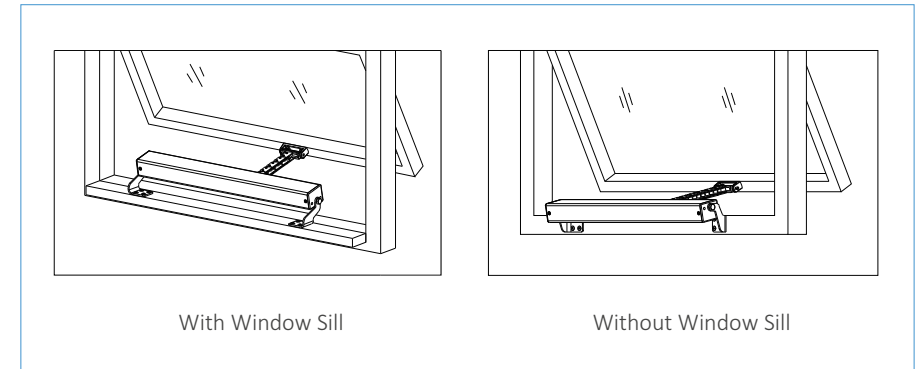
Application

LK-SCE actuators can be used in fire smoke removal, smart home, sun room, applied to awning window, skylight and casement window.



Installation

Installation of LK-SCE is flexible, can be installed with or without window sill.



Installation notice

- The actuator must be installed by professional technician
- When installing, make sure the actuator is matching with the window
- Actuator cannot be installed outside directly
- Actuator don't have anti-pinch function, be careful when installing or using
- The power supply of LK-SCE must comply with the power of 24VDC/2A or local AC electricity specification
- Between actuator and main power supply must be a switch to cut power off
- Make sure that power is off before power actuator on
- Be careful when installing, avoid the window closed accidentally causing injuries
- Please use synchronizer when controlling one window using two actuators
- Do not disassemble the actuator, if unusual please contact supplier