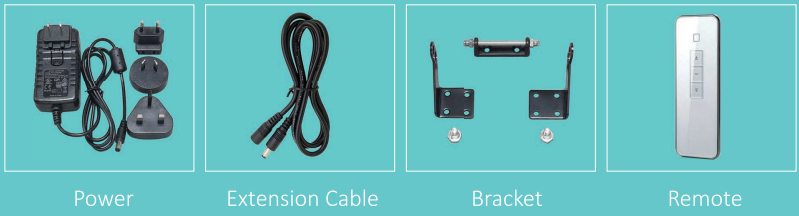
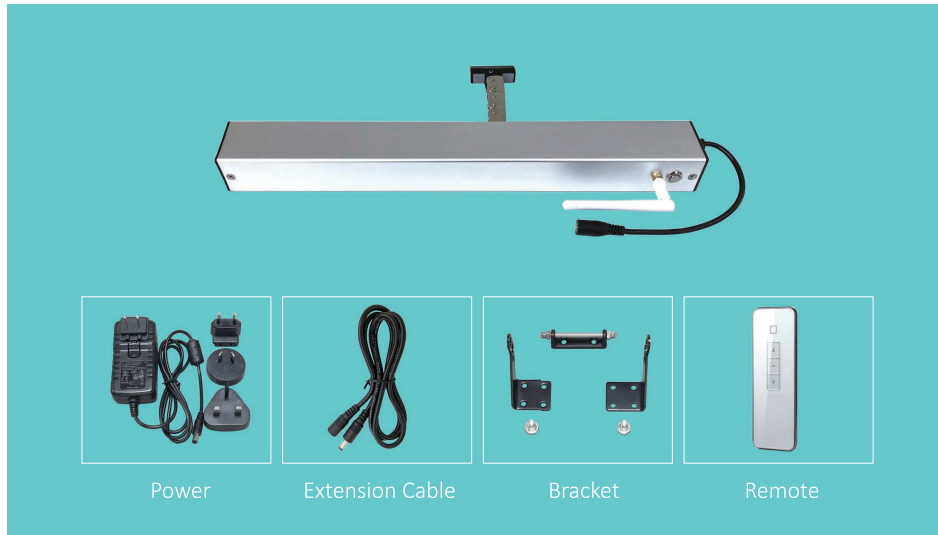


# LK-LCR Built-In Receiver Single Chain Window Opener



Power

Extension Cable

Bracket

Remote

## Feature

- Built-in 433MHz receiving module, no extra controller required
- Manual button and wireless remote control actuator Open/Stop/Close
- Compatible with LinkAYL wireless rain sensor for automatic closing in case of rain
- 100-240VAC input, US/UK/Europe/Australia standards removable plug
- Push-pull force 400N, 20000 endurance tests, overload current protection
- High-grade alloy casing with sandblasted oxidative surface treatment

## Description of product code

LK - LC R 300 - S - C  
 ① ② ③ ④ ⑤ ⑥

1	2	3	4	5	6
Brand	Category	Ver.	Stroke	Color	Chain material
LinkAYL	Large chain	R	300mm	S=Silver B=Black	C=Carbon steel S=Stainless steel

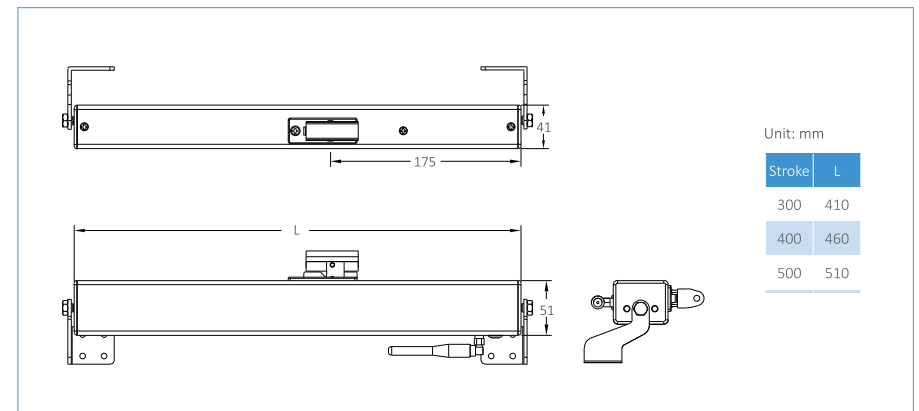
## Ordering code

Model	Vin	Imax	Stroke	Force	Speed	IP class	Dimension
LK-LCR300-S-C	24VDC	1.5A	300mm	400N	8mm/s	Ip32	51*41*410mm
LK-LCR400-S-C	24VDC	1.5A	400mm	400N	8mm/s	Ip32	51*41*460mm
LK-LCR500-S-C	24VDC	1.5A	500mm	400N	8mm/s	Ip32	51*41*510mm

## Power specification

Specification	Unit	Technical Data
Input Voltage	VAC	100-240
Output Voltage	VDC	24
Output Current	A	1.5
DC Cable Length	m	1.1
Extension Cable Length	m	1.5

## Dimension

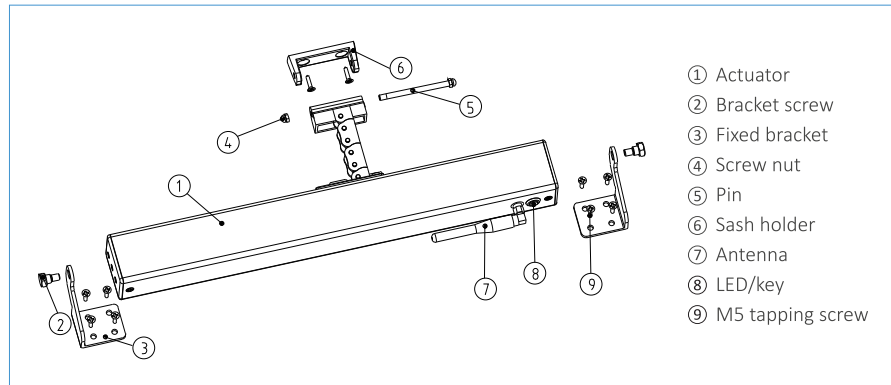


Unit: mm

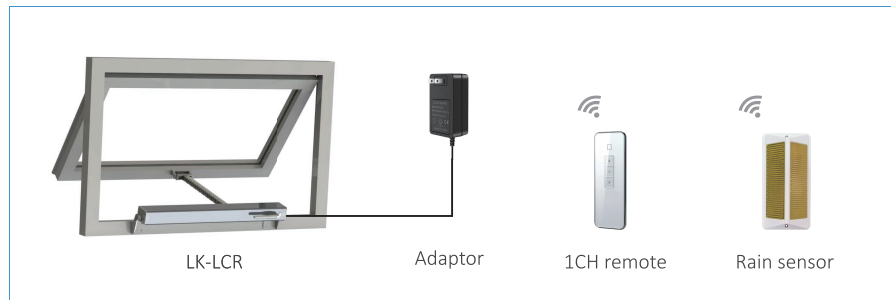
Stroke	L
300	410
400	460
500	510

## LK-LCR Built-In Receiver Single Chain Window Opener

### Accessory description



### Solution



### Application

LK-LCR actuators can be used in fire smoke removal, smart home, sun room, applied to awning window, skylight and casement window.



### Manual control

- Power the actuator on, press button to control the actuator Open/Stop/Close

### Remote control

- 10 sets of remote control signals can be stored
- Learning code status  
 There are two ways to enter learning code state
  1. Press [STOP] on the remote within 8 seconds after power the actuator on to enter learning code status
  2. After the actuator powered on, press the button on the actuator for 3 seconds to enter the learning code status
- Matching Code  
 In the state of learning code, press [UP] on the remote, the LED flashes 3 times, Codes are matched successfully
- Clearing Single Code  
 In the state of learning code, press [DOWN] on the remote, the LED flashes 3 times, Code is cleared successfully
- Clearing All Codes  
 Power the actuator on, press and hold the button on the actuator for 6 seconds to clear all codes

### Installation notice

- The actuator must be installed by professional technician
- Make sure the actuator is matching with the window before installing
- The actuator cannot be installed outdoor that may be exposed to rain
- The actuator does not have anti-pinch function. Please pay attention to safety when installing or using
- Be careful when installing the actuator, avoiding the window closed accidentally causing injuries to person
- Do not let other objects to block the antenna, otherwise it will affect the receiving effect
- Do not disassemble the actuator, if unusual please contact supplier