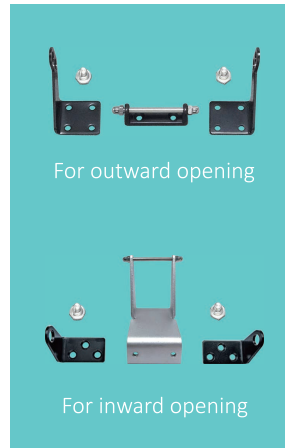


LK-LCD Large Single Chain Actuator



Feature

- Push/Pull Force 400N
- Sandblasted oxidative surface treatment
- Simple but delicacy design, low noise operation
- Double link chain working more stably and smoothly
- Built-in over current protection
- Life span 10,000 opening and closing movements
- Working temperature -20~+65 °C

Description of product code

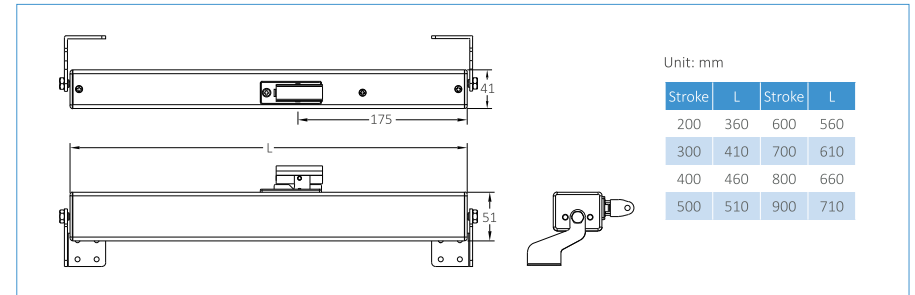
LK - LC D 300 - S - C
 ① ② ③ ④ ⑤ ⑥

1	2	3	4	5	6
Brand	Category	Ver.	Stroke	Color	Chain material
LinkAYL	Large chain	D	300mm	S=Silver B=Black	C=Carbon steel S=Stainless steel

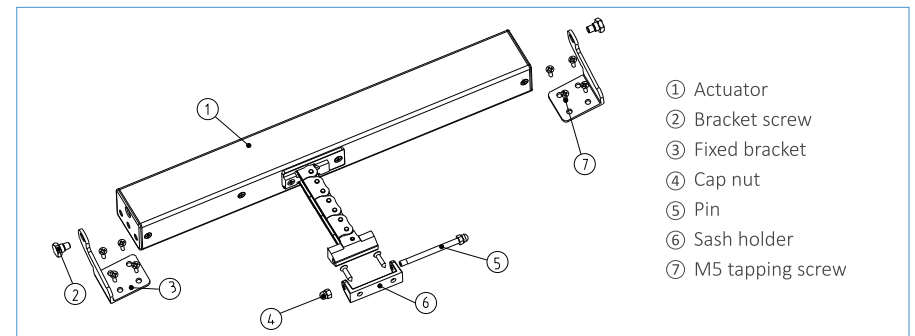
Ordering code

Model	Vin	Imax	Stroke	Force	Speed	IP class	Dimension
LK-LCD200-S-C	24VDC	1.5A	200mm	400N	8mm/s	Ip32	51*41*360mm
LK-LCD300-S-C	24VDC	1.5A	300mm	400N	8mm/s	Ip32	51*41*410mm
LK-LCD400-S-C	24VDC	1.5A	400mm	400N	8mm/s	Ip32	51*41*460mm
LK-LCD500-S-C	24VDC	1.5A	500mm	400N	8mm/s	Ip32	51*41*510mm
LK-LCD600-S-C	24VDC	1.5A	600mm	400N	8mm/s	Ip32	51*41*560mm
LK-LCD700-S-C	24VDC	1.5A	700mm	400N	8mm/s	Ip32	51*41*610mm
LK-LCD800-S-C	24VDC	1.5A	800mm	400N	8mm/s	Ip32	51*41*660mm

Dimension

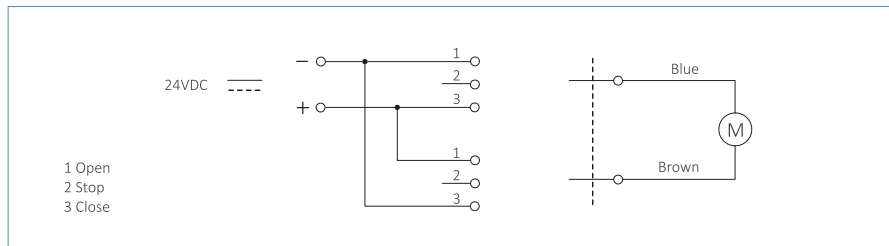


Accessory description



LK-LCD Large Single Chain Actuator

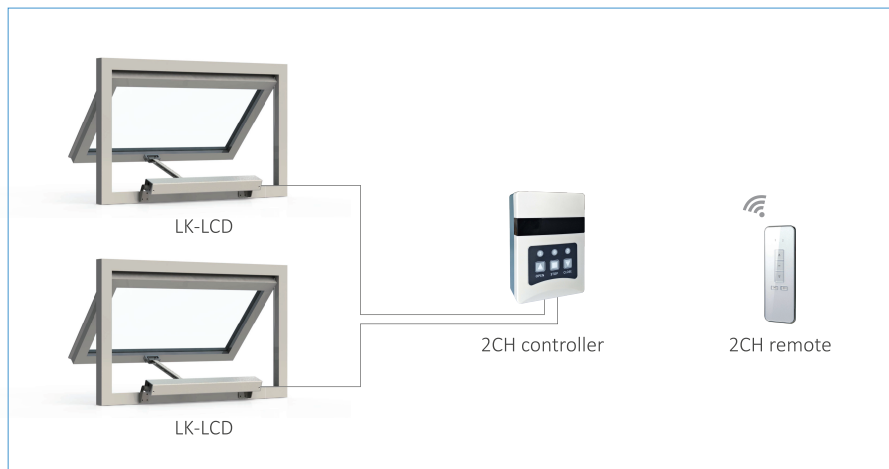
Electric wiring



Single actuator control



Double actuators control



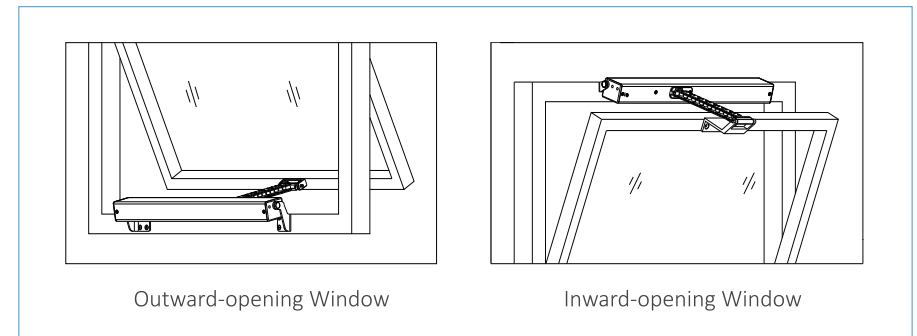
Application

LK-LCD actuators can be used in fire smoke removal, smart home, sun room, applied to awning window, skylight and casement window.



Installation

Installation of LK-LCD is flexible. It can be installed on inward-opening window or outward-opening window by suitable brackets.



Installation notice

- The actuator must be installed by professional technician
- When installing, make sure the actuator is matching with the window
- Actuator cannot be installed outside directly
- Actuator don't have anti-pinch function, be careful when installing or using
- The power supply of LK-LCD must comply with the power of 24VDC/3A
- Between actuator and main power supply must be a switch to cut power off
- Make sure that power is off before power actuator on
- Be careful when installing, avoid the window closed accidentally causing injuries
- Please use synchronizer when controlling one window using two actuators
- Do not disassemble the actuator, if unusual please contact supplier