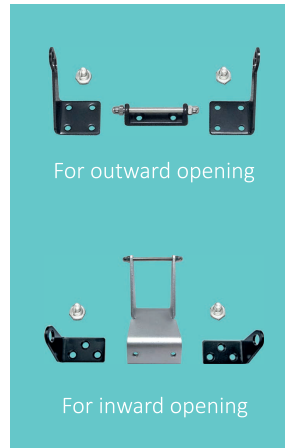


# LK-LCD-66 Large Single Chain Actuator IP66



## Feature

- Push/Pull Force 400N
- Protection class IP66
- 304 stainless steel chain
- Sandblasted oxidative surface treatment
- Simple but delicacy design, low noise operation
- Built-in over current protection
- Life span 10,000 opening and closing movements

## Description of product code

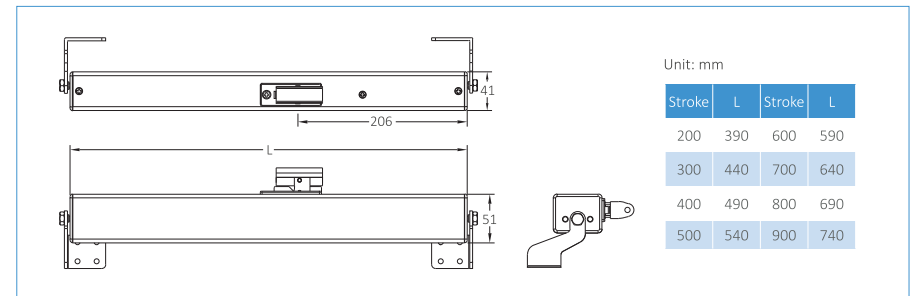
LK - LC D 300 - S - 66  
 ① ② ③ ④ ⑤ ⑥

1	2	3	4	5	6
Brand	Category	Ver.	Stroke	Color	IP & Chain
LinkAYL	Large chain	D	300mm	S=Silver B=Black	IP66 Stainless steel

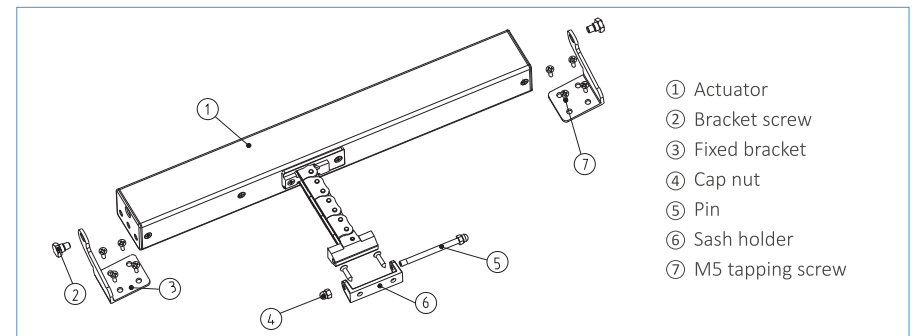
## Ordering code

Model	Vin	Imax	Stroke	Force	Speed	IP class	Dimension
LK-LCD200-S-66	24VDC	1.5A	200mm	400N	8mm/s	IP66	51*41*390mm
LK-LCD300-S-66	24VDC	1.5A	300mm	400N	8mm/s	IP66	51*41*440mm
LK-LCD400-S-66	24VDC	1.5A	400mm	400N	8mm/s	IP66	51*41*490mm
LK-LCD500-S-66	24VDC	1.5A	500mm	400N	8mm/s	IP66	51*41*540mm
LK-LCD600-S-66	24VDC	1.5A	600mm	400N	8mm/s	IP66	51*41*590mm
LK-LCD700-S-66	24VDC	1.5A	700mm	400N	8mm/s	IP66	51*41*640mm
LK-LCD800-S-66	24VDC	1.5A	800mm	400N	8mm/s	IP66	51*41*690mm

## Dimension

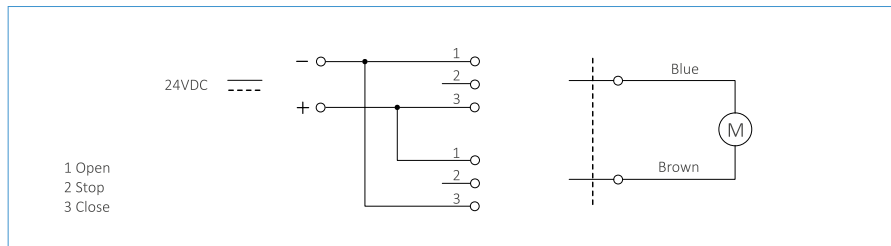


## Accessory description



# LK-LCD-66 Large Single Chain Actuator IP66

## Electric wiring



## Single actuator control



## Multiple actuators control



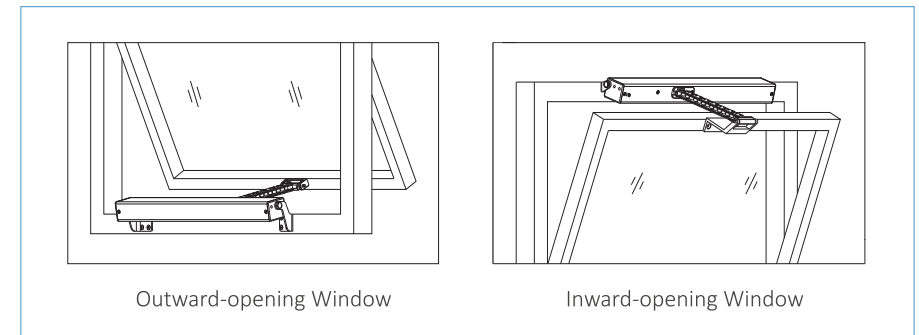
## Application

LK-LCD-66 actuators can be used in fire smoke removal, smart home, sun room, applied to awning window, skylight and casement window.



## Installation

Installation of LK-LCD-66 is flexible. It can be installed on inward-opening window or outward-opening window by suitable brackets.



## Installation notice

- The actuator must be installed by professional technician
- When installing, make sure the actuator is matching with the window
- Actuator cannot be installed outside directly
- Actuator don't have anti-pinch function, be careful when installing or using
- The power supply of LK-LCD-66 must comply with the power of 24VDC/3A
- Between actuator and main power supply must be a switch to cut power off
- Make sure that power is off before power actuator on
- Be careful when installing, avoid the window closed accidentally causing injuries
- Please use synchronizer when controlling one window using two actuators
- Do not disassemble the actuator, if unusual please contact supplier