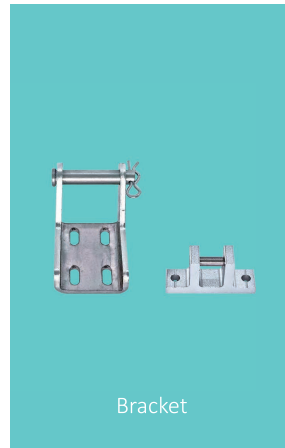


# LK-L38A Waterproof Actuator



## Feature

- DC24V safe voltage
- Protection class IP67, waterproof and dust proof
- Adjustable stroke optional
- Push/Pull force 1000N or 1500N optional
- Simple but delicacy design, low noise operation
- Sandblasted oxidative surface treatment
- Built-in over current protection
- Life span 10,000 opening and closing movements

## Description of product code

LK - L 38 A Y F 200 S  
 ① ② ③ ④ ⑤ ⑥ ⑦ ⑧

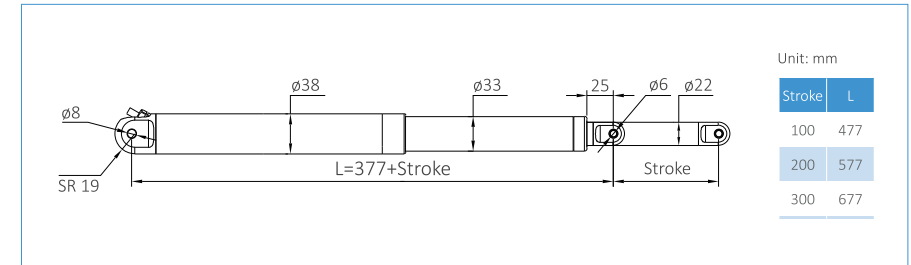
1	2	3	4	5	5	6	7
Brand	Category	Diameter	Wiring	Adjustable	Load Capacity	Stroke	Color
LinkAYL	Linear actuator	38mm	From side	Y=Yes N=No	F=1500N T=1000N	50-600mm	S=Silver B=Black

## Ordering code (LK-L38AY is adjustable stroke. LK-L38AN is unadjustable stroke.)

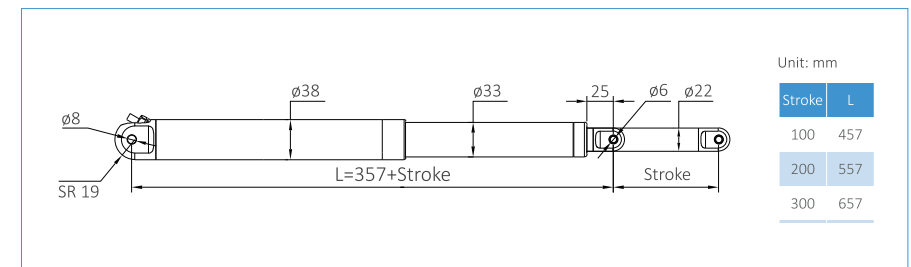
Model	Vin	I <sub>max</sub>	Stroke	Force	Speed	IP class	Dimension
LK-L38AYT100S	24VDC	1.5A	100mm	1000N	8mm/s	Ip67	Φ38*477mm
LK-L38AYT200S	24VDC	1.5A	200mm	1000N	8mm/s	Ip67	Φ38*577mm
LK-L38AYF100S	24VDC	2.5A	100mm	1500N	4mm/s	Ip67	Φ38*477mm
LK-L38AYF200S	24VDC	2.5A	200mm	1500N	4mm/s	Ip67	Φ38*577mm
LK-L38ANT100S	24VDC	1.5A	100mm	1000N	8mm/s	Ip67	Φ38*457mm
LK-L38ANT200S	24VDC	1.5A	200mm	1000N	8mm/s	Ip67	Φ38*557mm
LK-L38ANF100S	24VDC	2.5A	100mm	1500N	4mm/s	Ip67	Φ38*457mm
LK-L38AYNF200S	24VDC	2.5A	200mm	1500N	4mm/s	Ip67	Φ38*557mm

## Dimension

### LK-L38AY adjustable stroke

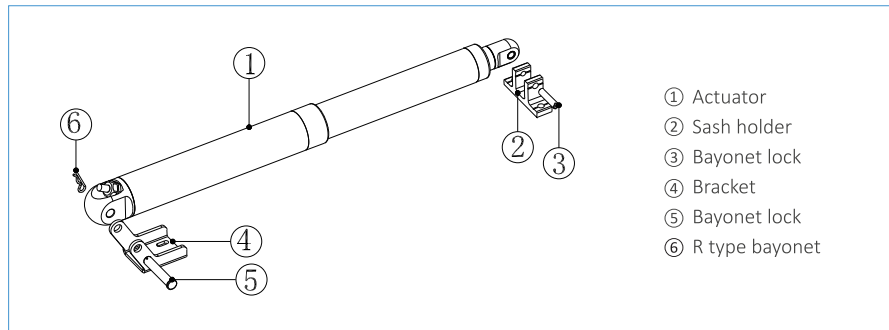


### LK-L38AN unadjustable stroke

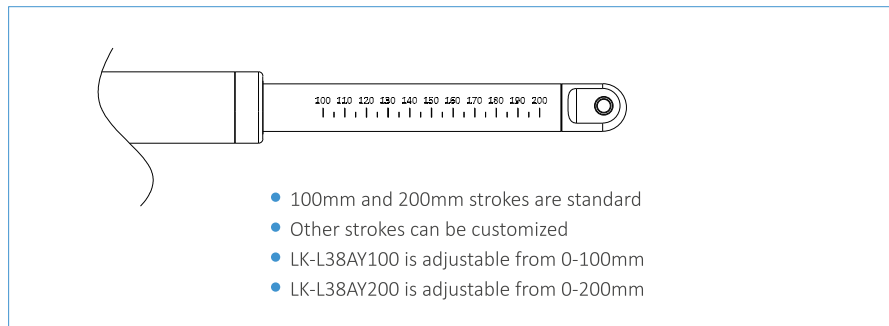


# LK-L38A Waterproof Actuator

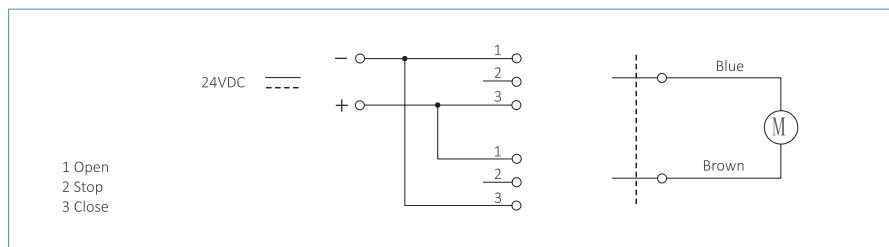
## Accessory description



## Stroke adjusting



## Electric wiring



## Solution



## Application

- LK-L38A linear actuator can be used in window automation for controlling awning, skylight, shutter, louver windows
- Can used in medical devices, transportation and industrial automation as well



## Installation notice

- The actuator must be installed by professional technician
- Before installing, make sure the actuator is matching with the window
- To control one window by two actuators you have to need a synchronizer
- Actuator cannot be installed outside directly
- Actuators don't have anti-pinch function, be careful when installing or using
- The power supply of actuator must comply with the power of DC24V/3A
- Between actuator and main power supply must be a switch to cut power off
- Making sure that power is off before powering actuator on
- Be careful when installing the actuator, avoiding the window closed accidentally causing injuries to person
- Do not disassemble the internal parts of the actuator, if unusual please contact supplier