

LK-L36B Electric Linear Actuator



Feature

- DC24V safe voltage
- Push/Pull force 600N or 1000N optional
- Wiring from bottom
- Ideal for heavy duty window
- Simple but delicacy design, low noise operation
- Sandblasted oxidative surface treatment
- Built-in over current protection
- Life span 10,000 opening and closing movements

Description of product code

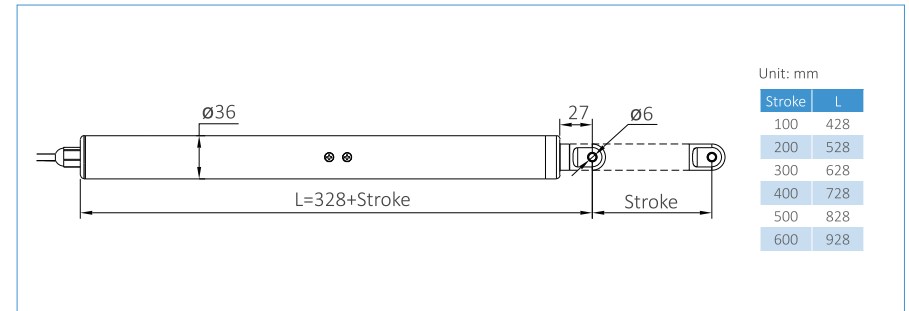
LK - L 36 B S 300 S
 ① ② ③ ④ ⑤ ⑥ ⑦

1	2	3	4	5	6	7
Brand	Category	Diameter	Wiring	Load Capacity	Stroke	Color
LinkAYL	Linear actuator	36mm	From bottom	S=600N T=1000N	50-600mm	S=Silver B=Black

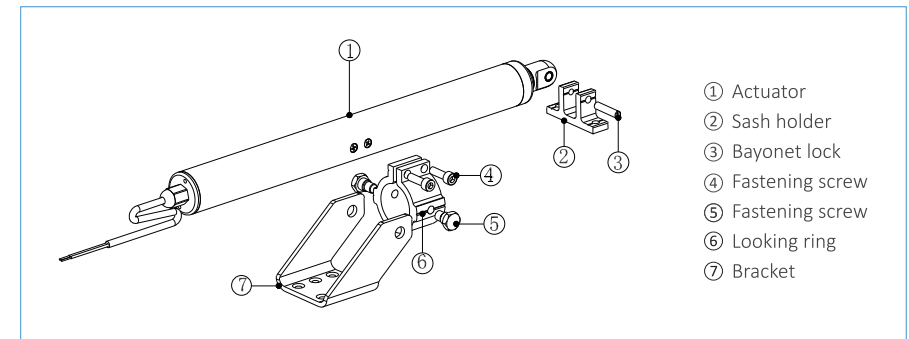
Ordering code

Model	Vin	I _{max}	Stroke	Force	Speed	IP class	Dimension
LK-L36BS100S	24VDC	1.5A	100mm	600N	8mm/s	Ip65	Φ36*428mm
LK-L36BS200S	24VDC	1.5A	200mm	600N	8mm/s	Ip65	Φ36*528mm
LK-L36BS300S	24VDC	1.5A	300mm	600N	8mm/s	Ip65	Φ36*628mm
LK-L36BS400S	24VDC	1.5A	400mm	600N	8mm/s	Ip65	Φ36*728mm
LK-L36BS500S	24VDC	1.5A	500mm	600N	8mm/s	Ip65	Φ36*828mm
LK-L36BS600S	24VDC	1.5A	600mm	600N	8mm/s	Ip65	Φ36*928mm

Dimension

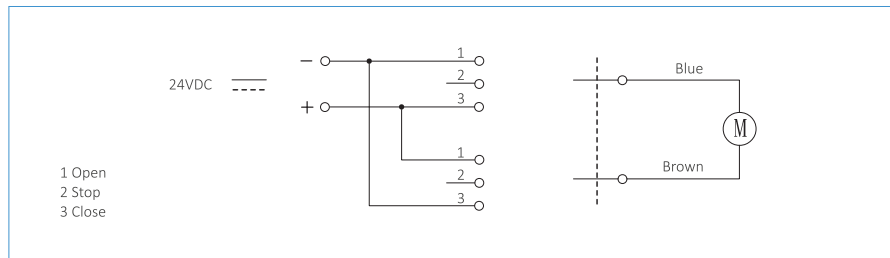


Accessory description



LK-L36B Electric Linear Actuator

Electric wiring



Single actuator control



Synchronized actuators control



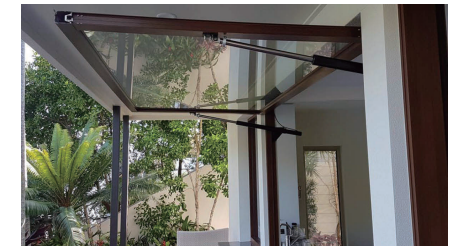
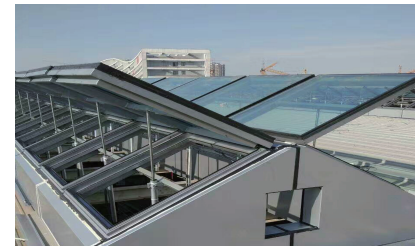
Application

- LK-L36B linear actuator can be used in smoke removal, natural ventilation, smart home, outdoor shaded, sun room
- Applied to a variety of windows, awning window, skylight, especially ideal for shutter, louver and heavy duty windows



Installation Reference

- Installation of LK-L36B is flexible, can be installed on different positions by suitable bracket
- To control one window by two actuators you have to need a synchronizer



Installation notice

- The actuator must be installed by professional technician
- Before installing, make sure the actuator is matching with the window
- Actuator cannot be installed outside directly
- Actuators don't have anti-pinch function, be careful when installing or using
- The power supply of actuator must comply with the power of DC24V/3A
- Between actuator and main power supply must be a switch to cut power off
- Making sure that power is off before powering actuator on
- Be careful when installing the actuator, avoiding the window closed accidentally causing injuries to person
- Do not disassemble the internal parts of the actuator, if unusual please contact supplier