

LK-CP8 Control Panel



LK-CP811/821S/831S/841S

LK-CP822/842S

LK-CP844

Ordering code

| Model | Power(W) | Channel | Vin(VAC) | Vout(VDC) | Frequency | Size(mm) |
|---------------|----------|---------|----------|-----------|-----------|--------------|
| LK-CP811-35 | 35 | 1 | 100-240 | 24 | 433.92MHz | 160*110*55mm |
| LK-CP811-60 | 60 | 1 | 100-240 | 24 | 433.92MHz | 160*110*55mm |
| LK-CP811-150 | 150 | 1 | 100-240 | 24 | 433.92MHz | 160*110*55mm |
| LK-CP822-60 | 60 | 2 | 100-240 | 24 | 433.92MHz | 160*110*55mm |
| LK-CP822-150 | 150 | 2 | 100-240 | 24 | 433.92MHz | 160*110*55mm |
| LK-CP821S-60 | 60 | 1 | 100-240 | 24 | 433.92MHz | 160*110*55mm |
| LK-CP821S-150 | 150 | 1 | 100-240 | 24 | 433.92MHz | 160*110*55mm |
| LK-CP844-150 | 150 | 4 | 100-240 | 24 | 433.92MHz | 160*110*55mm |
| LK-CP831S-150 | 150 | 1 | 100-240 | 24 | 433.92MHz | 160*110*55mm |
| LK-CP841S-150 | 150 | 1 | 100-240 | 24 | 433.92MHz | 160*110*55mm |
| LK-CP842S-150 | 150 | 2 | 100-240 | 24 | 433.92MHz | 160*110*55mm |

Application

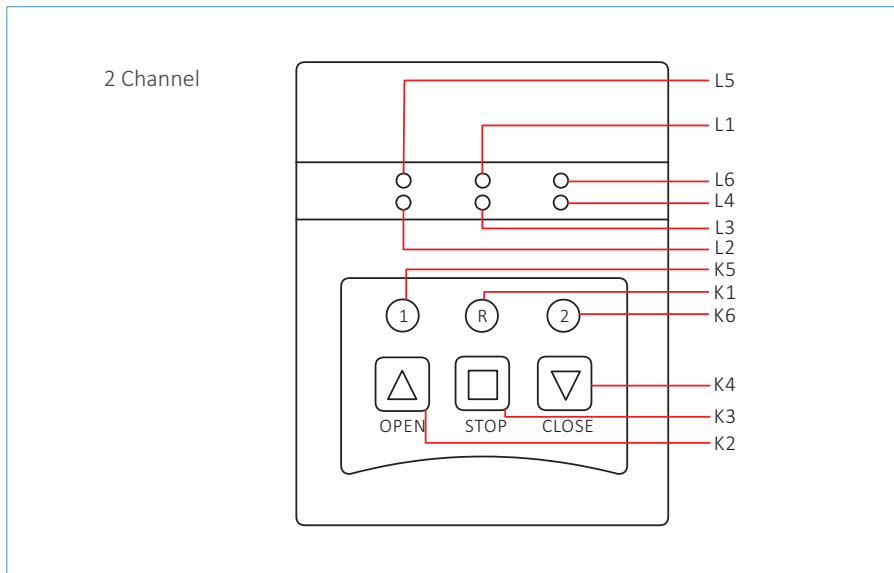
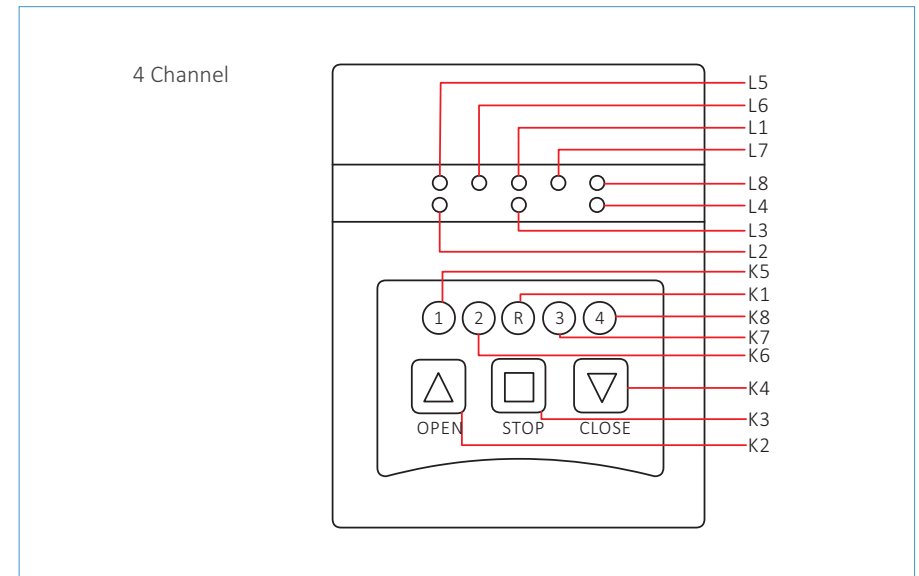
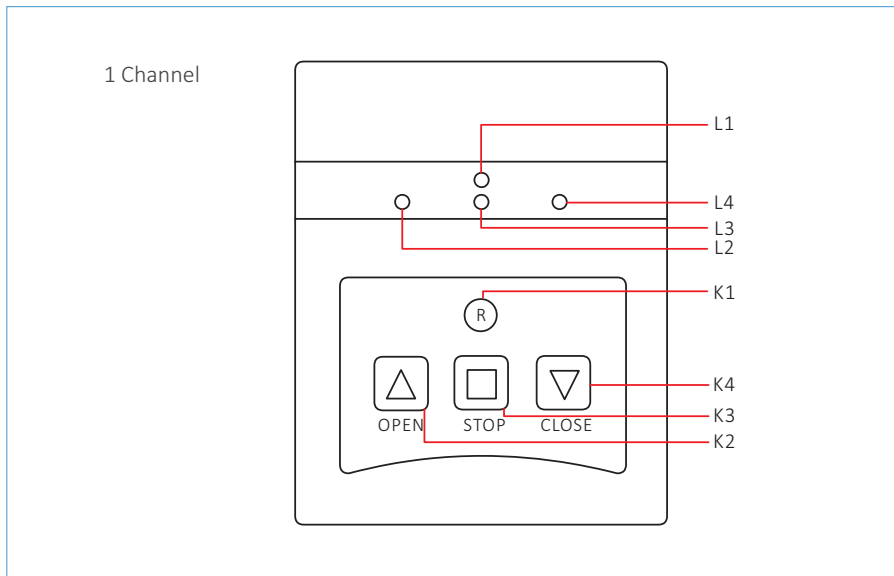
| Model | LK-SCE-D | LK-LCD | LK-TC | LK-L36A | LK-L36B | LK-L38AT | LK-L38AF |
|---------------|----------|--------|-------|---------|---------|----------|----------|
| LK-CP811-35 | 1 | 1 | - | 1 | 1 | 1 | - |
| LK-CP811-60 | 2 | 2 | 1 | 2 | 2 | 2 | 1 |
| LK-CP811-150 | 4 | 4 | 2 | 4 | 4 | 4 | 2 |
| LK-CP822-60 | 2 | 2 | - | 2 | 2 | 2 | - |
| LK-CP822-150 | 4 | 4 | 2 | 4 | 4 | 4 | 2 |
| LK-CP821S-60 | 2 | 2 | - | 2 | 2 | 2 | - |
| LK-CP821S-150 | 2 | 2 | 2 | 2 | 2 | 2 | 2 |
| LK-CP844-150 | 4 | 4 | - | 4 | 4 | 4 | - |
| LK-CP831S-150 | 3 | 3 | - | 3 | 3 | 3 | - |
| LK-CP841S-150 | 4 | 4 | - | 4 | 4 | 4 | - |
| LK-CP842S-150 | 4 | 4 | - | 4 | 4 | 4 | - |

Feature

- Reset, Open/Stop/Close & channel selection buttons and LED indicators
- Single channel, dual channel, 4 channel or cascade control
- Built-in synchronizer of 2-way, 3-way, 4-way or twin 2-way optional
- Cascade with LK-CP6 /CP7 /CP8 and LK-FP3 that achieves windows of zone control and group control
- Can handle external input signal of manual switch, remote control, timer, smoke /gas/ rain /temperature /humidity sensors
- Output fire feedback signal to fire centre
- Compatible with all LinkAYL remote
- Inching mode and continued-run mode settable
- With stroke memory function
- Built-in power 35W/ 60W / 150W

LK-CP8 Control Panel

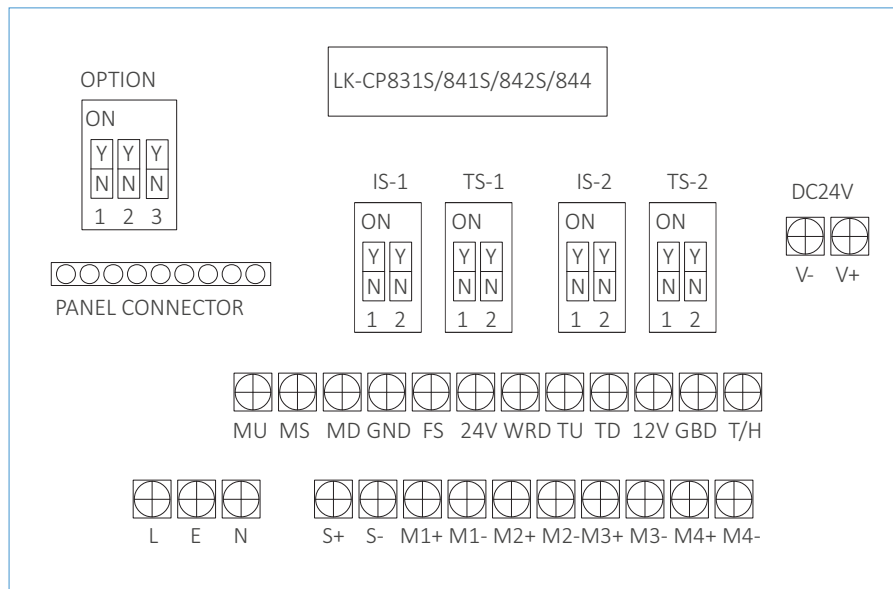
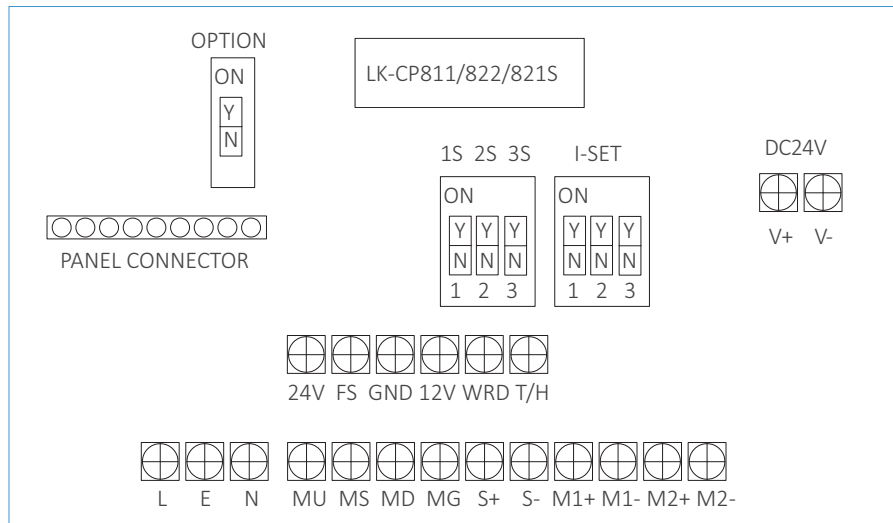
■ Key & LED



| LED/KEY | Color | Status | Function |
|---------|--------|--------------|-----------------|
| L1 / K1 | Blue | On/Off | AC power, Reset |
| L2 / K2 | Green | On/Off/Flash | Open |
| L3 / K3 | Red | On/Off/Flash | Stop |
| L4 / K4 | Yellow | On/Off/Flash | Close |
| L5 / K5 | Blue | On/Off/Flash | Channel 1 |
| L6 / K6 | Blue | On/Off | Channel 2 |
| L7 / K7 | Blue | On/Off/Flash | Channel 3 |
| L8 / K8 | Blue | On/Off/Flash | Channel 4 |

LK-CP8 Control Panel

Terminal



| Symbol | Description | Symbol | Description |
|--------|----------------------|--------|--------------------|
| L | AC live wire | FSO | Fire signal output |
| N | AC null wire | FOO | Fire output NO |
| E | AC earth wire | FOC | Fire output NC |
| 24V+ | 24VDC input positive | 24V | 24VDC+ output |
| 24V- | 24VDC input negative | FSI | Fire signal input |
| Mx + | 24VDC motor positive | COM | Sensor COM |
| M x- | 24VDC motor negative | S+ | Slave control up |
| MU | Manual switch up | S- | Slave control down |
| MS | Manual switch stop | 12V | DC12V+ output |
| MD | Manual switch down | WRD | Rain sensor down |
| MG | Manual switch GND | T/H | T/H signal |

Control mode

- Controller has inching mode and continued-run mode which is default
- In the continued-run mode, press UP or DOWN button less than 1.5 seconds, the motor will run continuously, press UP or DOWN button more than 1.5 seconds, the motor will stop after running a very short moment
- In the inching mode, press UP or DOWN button less than 1.5 seconds, the motor will stop after running a very short moment, press UP or DOWN button more than 1.5 seconds, the motor will run continuously
- Only the manual buttons on the panel, manual switch, remote control and cascade signal have inching mode
- Keep pressing both of UP and STOP button on the controller for 5 seconds, LEDs flash 3 times and turn off it's inching mode for the controller, repeat the operation the controller turns to continued-run mode

LK-CP8 Control Panel

■ Manual control

- After power on all the LEDs light for 1 second and turn off, the power indicator LED normally on
- Press reset button, all the LEDs light for 1 second and turn off, reset successfully
- L2 will be explosion-flashing after controller receives fire signal
- External manual switch is equivalent to controller panel switch
- The maximum running time of the motor is 5 minutes

□ Group control

- By default, L1 is normally on, the rest LEDs are off as group control status
- Press UP button, the windows open, LED turns on, turns off after 5 seconds
- Press DOWN button, the windows close, LED turns on, turns off after 5 seconds
- Press STOP button, the motors stop, LED turns on, LED turns off after 1 second

□ Channel control

- Press channel selection keys the corresponding LED lights, channel selected
- Press the channel selection button again or no operation on controller than 10 seconds, LED turns off, channel unselected
- In the process of opening/closing the current window, you can select another channel(s) to drive the window

■ Cascaded control

- LK-CP811/822/844 can be used as a master controller, a slave controller or play a dual role of master & slave controller at the same time
- LK-CP821S /831S /841S /842S can only be a slave controller
- As a master controller, connects to the motors or slave controllers to drive them
- As a slave controller, input terminals S+ and S- are connected to the output terminals M+ and M- of the master controller to receive the instructions to drive motors, or drive the motors independently
- Play a dual role of master & slave controller, not only controlled by higher-level controller, but also drive motors or lower-level controllers independently
- No matter master, slave or both, it can process all the external signals such as manual switch, remote and sensors

■ Remote control

- The controller encodes by 433MHz learning code, can store 10 sets of transmission codes
- The controller defaults to multiple channel, single channel controller has the same way as multiple channel one

□ Matching code

- Power the controller on, choose the channel(s) you want to set, can be set to any combination of channel 1-4
- Pressing STOP button on controller for 5 seconds
- LED flashes 3 times and turns off
- Choose the channel you want to set on the remote
- Press UP within 15 seconds
- LED flashes 3 times and turns off
- Code matched successfully

□ Clearing single code

- Power the controller on
- Keep pressing STOP key on the controller for 5S
- LED flashes 3 times and turns off
- Press DOWN button on the remote within 15 seconds
- LED flashes 3 times and turns off
- Code cleared successfully

□ Clearing all codes

- Power controller on
- Pressing STOP /DOWN button on the controller for 5 seconds
- LEDs flash 3 times and turn off
- All the codes will be deleted after this operation

LK-CP8 Control Panel

■ Signal control

- Manual signal. Control the window by the buttons on itself, external dry contact manual switch and RF remote
- Cascaded signal. As a master controller sends signal to the slave controller, can also be used as slave controller to receive the signal from the master controller to drive the window
- Fire signal. Capable of receiving a signal from fire center, smoke sensor, gas detector open the window automatically, send feedback signal to fire centre
- Rain signal. After receiving the signal of rain sensor close the window
- Temperature/humidity signal. Control the window by processing external temperature/humidity sensor

□ Signal and priority

| Priority | Signal | Device |
|----------|---------------|---|
| 1 | Manual signal | Panel buttons, manual switch, remote, master controller |
| 2 | Fire signal | Smoke sensor, gas detector |
| 3 | W/R signal | Wired wind rain sensor |
| 4 | T/H signal | Temperature sensor, humidity sensor |

□ Reset and shielding

- After manual signal processed controller receives input signal in real time
- After processing the signal from fire centre, smoke sensor or gas detector, the controller immediately shields all the input signals, the controller must be reset by pressing K1 manually
- After wired rain sensor signal processed, the controller shields lower priority signal, only receives the higher priority signal until reset or manual signal processed
- After T&H sensor signal processed, the controller is in the reset state
- If the controller is not connected to a temperature and humidity sensor, the T/H port must be shielded (put option switch to "Y" position)

■ Synchronous control

- Detects the current of each motor in real time automatically, once one or more motors in the group run abnormally, all the motor will stop to protect the windows
- Overload current and synchronization delay can be set according to need, protect the windows and ensure that the windows are completely closed

□ LK-CP821S

- Supports a group of two motors for synchronization
- Motor current can be set from 0.7A to 4A

| 0.7A | 1.2A | 1.5A | 2.0A | 2.5A | 3.0A | 3.5A | 4.0A |
|-------|-------|-------|-------|-------|-------|-------|-------|
| ON | ON | ON | ON | ON | ON | ON | ON |
| | | | | | | | |
| 1 2 3 | 1 2 3 | 1 2 3 | 1 2 3 | 1 2 3 | 1 2 3 | 1 2 3 | 1 2 3 |

- The synchronization delay can be set for 0-7 seconds

| 0S | 1S | 2S | 3S | 4S | 5S | 6S | 7S |
|-------|-------|-------|-------|-------|-------|-------|-------|
| ON | ON | ON | ON | ON | ON | ON | ON |
| | | | | | | | |
| 1 2 3 | 1 2 3 | 1 2 3 | 1 2 3 | 1 2 3 | 1 2 3 | 1 2 3 | 1 2 3 |

□ LK-CP831S / LK-CP841S / LK-CP842S

- LK-CP831S supports a group of three motors synchronization
- LK-CP841S supports a group of four motors synchronization
- LK-CP842S supports two groups of motor synchronization, two motors in one group, each group of independent control, blocking current and synchronization delay can be set separately
- Motor current 0.7 / 1.3 / 2.0 / 3.0A, synchronous delay 0 / 2 / 3 / 5 seconds

| 0.7A | 1.3A | 2.0A | 3.0A |
|------|------|------|------|
| ON | ON | ON | ON |
| | | | |
| 1 2 | 1 2 | 1 2 | 1 2 |

| 0S | 2S | 3S | 5S |
|-----|-----|-----|-----|
| ON | ON | ON | ON |
| | | | |
| 1 2 | 1 2 | 1 2 | 1 2 |

LK-CP8 Control Panel

Stroke memory

- The controller can set and memorize the opening stroke. Upon the stroke set, the window opening signal is triggered once, the motor will run the memorized stroke one time
- The default memorized stroke runs for 5 minutes
- Press both of UP /DOWN buttons on the controller for 3 seconds, LEDs flash 3 times and off, successfully entered the stroke memory setting state
- In the stroke memory setting state, the manual keys are forced to the continued-run mode, the remote control keys are forced to the inching mode
- Select the channel(S) to be set, the default is all selected, all the channel indicators light. Press the channel selection key(S), the indicators light, press the channel selection key(S) again the indicator is off, it is deselected. The setting is invalid without operation in 15 seconds
- After the channel selected, determine the stroke that needs to be memorized by pressing the manual key or the remote control key by moving or jogging
- The memorized stroke can be set to one channel or any combination of channel
- After the memorized strokes determined, turn on all the channel indicators for setting the memorized stroke. Press both of UP /DOWN buttons on the controller for 3 seconds, LEDs flash 5 times and off, the memorized strokes of all channels set successfully and exit the stroke memory setting state, manual buttons and remote control buttons restored to the original mode
- In stroke memory setting state, no operation is performed within 15 seconds, LEDs flash 3 times slowly and off, the stroke memory setting state is automatically exited, and the last memorized stroke is retained
- Stroke memory can be set repeatedly. The controller only retains the last successful stroke value and automatically clears the previous one
- In stroke memory setting state, press both of STOP /DOWN buttons on the controller for 3 seconds LEDs flash 3 times the memorized stroke is deleted and restored to the default output for 5 minutes
- Stroke memory and sync delay function are valid only in continued-run operation
- When the memorized strokes of master controller and slave controller are not the same, the master controller will run its own memorized stroke. The slave controller will run the shorter stroke when it receives the cascade signal from the master controller
- The memorized stroke set for each channel is retained in case the controller is powered down or reset
- When closing the window, the output time is 5 minutes

Installation instruction

- Please read the following installation instructions carefully before installing this product
- The installation of this product must comply with the effective local electricity specifications
- The control system must be installed by the professional
- The maximum output power of the controller can not exceed the rated total power
- The main power must be cut off before wiring to ensure safe operation
- Do not use metal objects to touch or cover the controller, otherwise it will affect the remote control signal reception
- The maximum transmission distance of the wireless signal can reach 50 meters or more in the open condition
- The distance between the controller and the ground should be greater than 1.5 meters
- The distance between the controller and the ceiling should be greater than 0.3 meters
- The distance between the controller and the motor should be greater than 1.5 meters
- Avoid static interference and prevent static damage to electronic components
- Please use the soft wire and cable, after installation ensure that the cable carrier is not affected by the longitudinal tension
- An external sensor must use a product that is compatible with this controller
- Cascade use of the controller, if the master controller connected to an external sensor (such as smoke sensor, wind and rain sensor, etc.), the slave controller MUST NOT use inching mode, in case the master controller received the smoke signal to open the window, the slave controller will open the window for 160ms and stop
- If the controller is not connected to a temperature and humidity sensor, the T/H port must be shielded (put option switch option 3 to “Y” position), otherwise it will affect the control of other input signal
- When using LK-CP821S /831S /841S /842S, all output ports must be connected to the motors, otherwise the controller cannot work properly, after setting protection current or delay time, the controller has to be shut down and restart
- Non-professionals is not allowed to disassemble the controller. If any function is abnormal, please contact your local dealer

Troubleshooting

| No. | Symptom | Solution |
|-----|---|---|
| 1 | LED flashes, receiver shut down | 1. Check the connection of wires 2. Check the receiver setting |
| 2 | LED on the transmitter is off or weak | 1. Make sure the right installation of the battery 2. Change the battery |
| 3 | The transmitter and the receiver work well, the motor does not work | 1. Check the wiring of motor 2. Make sure the motor no failure |