

LK-21UP24XX UPS POWER SUPPLY



Feature

- UPS uninterruptible power supply
- 120VAC/230VAC input optional, 24VDC 10A/15A/20A/25A/30A/40A output
- 2 No. of 12V20Ah lead-acid batteries in series
- 4 working status LED indicators
- Batteries output when AC power failure, battery is charged automatically
- Short circuit /overload /input over voltage protection
- Battery low voltage protection /reverse polarity protection

Ordering code

Model	AC Input (VAC)	Vout (VDC)	Iout (A)	SLA	Dimensions (mm)
LK-21UP2410	120/230	24	10	2 X 12V20Ah	407*340*85
LK-21UP2415	120/230	24	15	2 X 12V20Ah	407*340*85
LK-21UP2420	120/230	24	20	2 X 12V20Ah	407*340*85
LK-21UP2425	120/230	24	25	2 X 12V20Ah	407*340*85
LK-21UP2430	120/230	24	30	2 X 12V20Ah	407*340*85
LK-21UP2440	120/230	24	40	2 X 12V20Ah	407*340*85

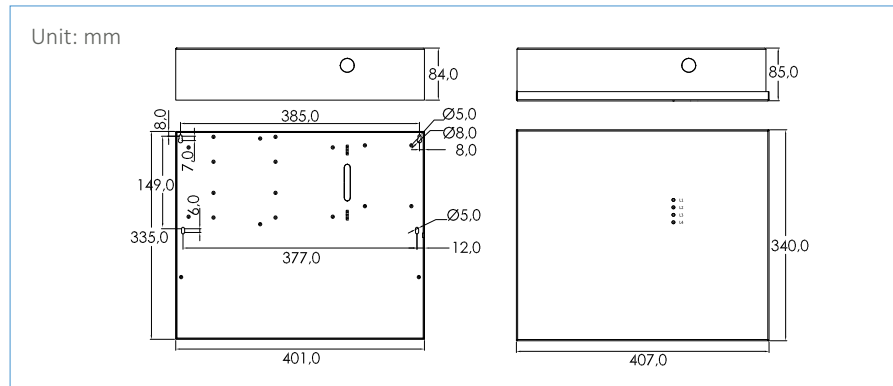
Specification

All parameters aren't specially mentioned are measured at 230VAC input, rated load and 25°C of ambient temperature.

Output	Channel	CH1	CH2
	DC Voltage	+24V	+27.5V
	Rated Current	10/15/20/25/30/40A	1.0A
	Rated Power	240/360/480/600/720/960W	
	Ripple	200mVp-p	200mVp-p
	Voltage Accuracy	±3%	±5%
	Output Voltage Adj.	±10%	±1%
	Start-up Time	200ms/230VAC	
Input	AC Voltage	120/230VAC	
	Frequency	47~63Hz	
	Efficiency	>82% Typ.	
	Inrush Current	50A	
	Leakage Current	<3.5.0mA/220VAC	
Protection	Overload	Automatic recovery after load abnormal conditions are removed	
	Short Circuit (Working on AC)	Automatic recovery after failure removal	
	Short Circuit (Working on Battery)	No output, re-power-on recovery	
	Battery Reverse Polarity Connection	Yellow led flashes, automatic recovery after failure removal	
	Battery Low Voltage	Stop discharging battery when voltage is lower than 20V	
Environment	Operating temperature	-10°C ~+45°C	
	Storage temperature	-20°C ~+85°C	
EMC	CE-EMC	EN55022, CLASS A	

LK-21UP24XX UPS POWER SUPPLY

Dimension



LED description

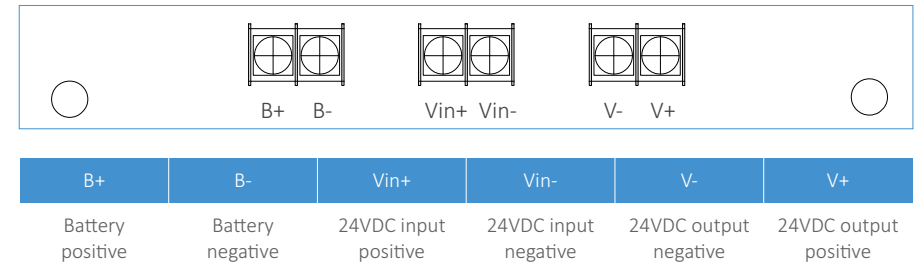
LED	Color	Status	Function
L1	Red	On/Off	Working on AC
L2	Green	On/Off	Working on Battery
L3	Yellow	On/Off/Flash	Battery status
L4	Blue	On/Off	Battery charging

- L1 is on when working on AC power
- After AC power failure, it automatically switches to battery power, L2 is on
- Battery voltage is lower than 22V, L3 is on. Battery voltage goes up to 22V, L3 is off. When the battery is faulty, L3 flashes and turns off after fault removal
- L4 is on when battery charging, L4 is off when battery charged fully

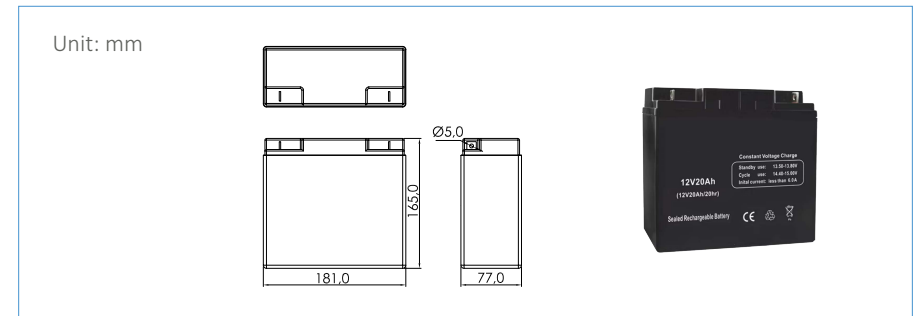
UPS description

- When working on AC power, outputs 24V to device, outputs 27.5V to charge the battery. It automatically stops charging when the battery is full
- When AC power failure, batteries automatically works for the load to ensure that the device does not stop or restart
- Switch to AC mode whenever utility power on, without manual intervention
- Battery undervoltage protection, , battery stops output when voltage is lower than 20V

Terminal



Battery dimension



Application

- 24VDC motors, such as window opener, linear actuator, curtain motor
- 24VDC security monitoring, fire alarm and so on
- Add 24VDC DC-DC converter to supply power to devices working below 24VDC, such as router, ADSL modem, switches, electronic locks

Installation

- Two 12V 20Ah batteries connected in series
- Please confirm positive and negative polarities before turning on the battery to ensure that it cannot be reversed
- This product does not contain batteries, please purchase with correct size and specifications
- Power cannot be installed outdoors