

LK-21UP2403 UPS Power Supply (3A)



Feature

- 24VDC/3A UPS uninterruptible power supply
- 100-240VAC international wide voltage input
- 2 No. of 12V 2.6Ah lead-acid batteries in series
- 4 working status LED indicators
- Batteries output when AC power failure, batteries charged automatically
- Short circuit /overload /input over voltage protection
- Battery low voltage protection /reverse polarity protection
- Strengthen lightning protection, use 105 °C long life electrolytic capacitor

Ordering code

Model	AC Input	Voutput	Ioutput	Battery	Dimension
LK-21UP2403	100-240VAC	24VDC	3A	2x12V2.6Ah lead-acid	224*161*55mm

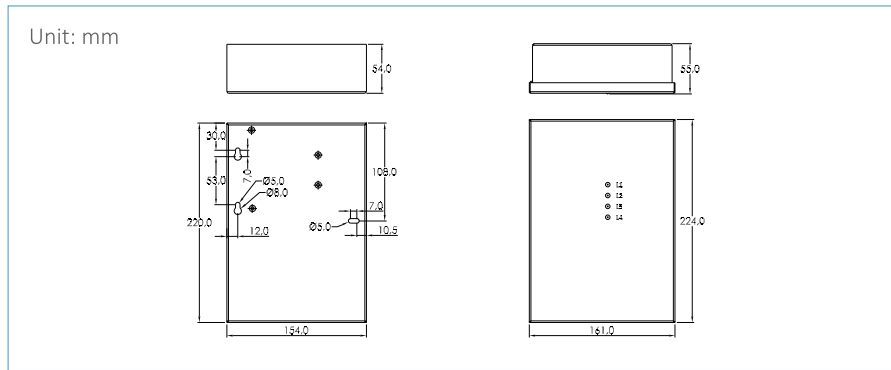
Specification

All parameters aren't specially mentioned are measured at 230VAC input, rated load and 25°C of ambient temperature.

Output	Channel	CH1	CH2
	DC Voltage	+24V	+27.5V
	Rated Current	3.0A	1.0A
	Rated Power	99.5W	
	Ripple	200mVp-p	200mVp-p
	Voltage Accuracy	±3%	±5%
	Output Voltage Adj.	±1%	±1%
	Start-up Time	500ms/230VAC	
Input	AC Voltage	100~240VAC	
	Frequency	47~63Hz	
	Efficiency	>82% Typ.	
	AC Current	2.0A/110VAC 1.5A/220VAC	
	Inrush Current	40A	
	Leakage Current	<1.0mA/220VAC	
Protection	Overload	Automatic recovery after load abnormal conditions are removed	
	Short Circuit (Working on AC)	Automatic recovery after failure removal	
	Short Circuit (Working on Battery)	No output, re-power-on recovery	
	Battery Reverse Polarity Connection	Yellow led flashes, automatic recovery after failure removal	
	Battery Low Voltage	Stop discharging battery voltage lower than 20V	
Environment	Operating temperature	-10°C~+45°C	
	Storage temperature	-20°C~+85°C	
Safety & EMC	CE-EMC	EN55032, EN55035, 61000	
	CE-LVD	EN60950	

LK-21UP2403 UPS Power Supply (3A)

Dimension



LED description

LED	Color	Status	Function
L1	Red	On/Off	Working on AC
L2	Green	On/Off	Working on Battery
L3	Yellow	On/Off/Flash	Battery status
L4	Blue	On/Off	Battery charging

- L1 is on when working on AC power
- After AC power failure, it automatically switches to battery power, L2 is on
- Battery voltage is lower than 22V, L3 is on. Battery voltage goes up to 22V, L3 is off. When the batteries are faulty, L3 flashes and turns off after fault removal
- L4 is on when battery charging, L4 is off when battery charged fully

UPS description

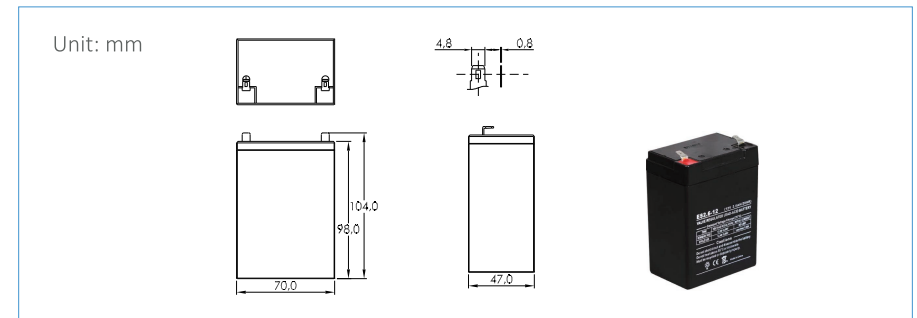
- When working on AC power, outputs 24VDC /3A to device, outputs 27.5V /1A to charge the batteries. It automatically stops charging when the battery is full
- When AC power failure, batteries automatically work for the load to ensure that the device does not stop or restart
- Switch to AC mode whenever AC power on, without manual intervention
- Battery undervoltage protection, , batteries stop output when voltage is lower than 20V

Terminal



L	N	FG	Bat+	Bat-	COM	+V
Live wire	Null wire	Earth wire	Battery positive	Battery negative	24VDC-	24VDC+

Battery dimension



Application

- 24VDC motors, such as window opener, linear actuator, curtain motor
- 24VDC security monitoring, fire alarm and so on
- Add 24VDC DC-DC converter to supply power to devices working below 24VDC, such as router, ADSL modem, switches, electronic locks

Installation

- Two 12V 2.6Ah batteries connected in series
- Please confirm positive and negative polarities before turning on the battery to ensure that it cannot be reversed
- This product does not contain batteries, please purchase with correct size and specifications
- Power cannot be installed outdoors