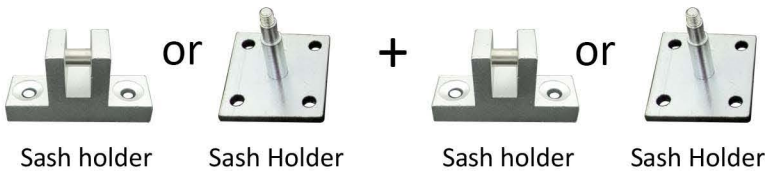




LK-L-S SERIES ELECTRIC LINEAR ACTUATOR

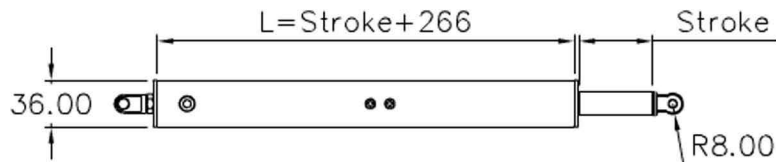


ACCESSORIES



DIMENSION

Unit:mm



FEATURE

- DC 24V safe voltage
- Simple but delicacy design, low noise operation
- Electronic overload cutoff and limit stop
- Flexible optional installation
- Endurance tests (20,000 cycles) are carried out
- Push/Pull force 600N or 1000N
- Lock force in static motion is 5,000N
- Protection class IP65
- Various colors can be customized

SPECIFICATION

Specification	Unit	Technical Data
Travel Distance	mm	50 ~ 1000
Push/Pull force	N	600 or 1000
Travel Speed	mm/s	12 or 6
Working Voltage	V	24
Max. Current	A	1.5
Working Temperature	°C	-20 ~ +75
Dimension	mm	Φ 36*316 ~ 1266
Protection Class	IP	65

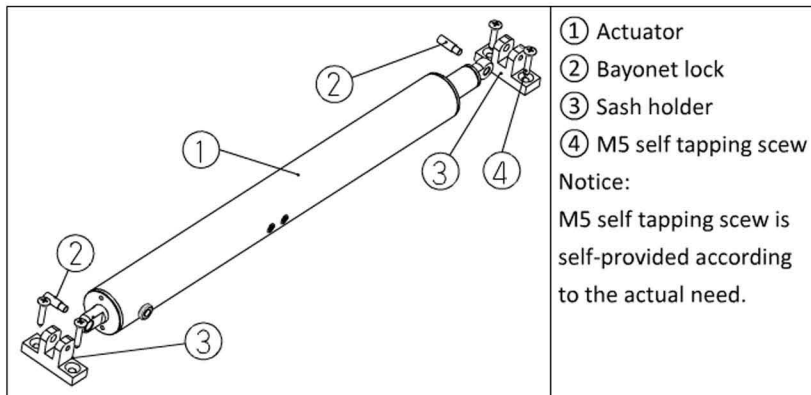
APPLICATION

- Shutter/Blinds/Louver
- Top hung window
- Bottom hung window
- Awning window
- Sliding sash
- Casement window
- Heavy skylight

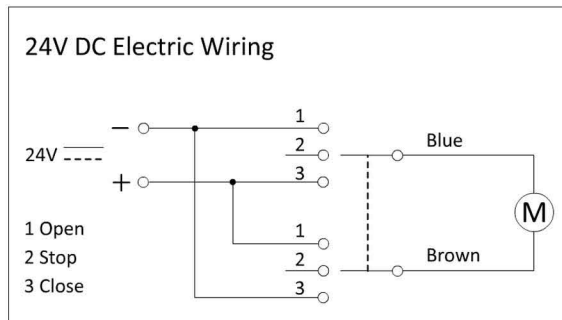
INSTALLATION NOTICES

- The actuator must be installed by professional technician.
- When installing, make sure the window actuator is matching with the window.
- The power supply of actuator must comply with the power of DC24V/4A.
- Between actuator and main power supply must be a switch to cut power off.
- Making sure that power is off before powering actuator on.
- Be careful when install the actuator, avoid the window closed accidentally causing injuries to person.
- Do not disassemble the internal parts of the actuator, if unusual please contact supplier.

ACCESSORY DESCRIPTION



ELECTRIC WIRING



INSTALLATION REFERENCE

- LK-L-S Series Electric Linear Actuator can be applied to a variety of windows, especially ideal for Shutter/Blinds/Louver.
- Installation of LK-L-S Series is flexible. It can be installed on different positions by suitable brackets.

